

OMEGA Inverter Mini-Split

SUBMITTAL DATA

220-240V/1/50Hz

Job: _____
 Location: _____
 Schedule No.: _____
 System Designation: _____

Engineer: _____
 Architect: _____
 Date: _____
 For: Reference Approval Review Construction

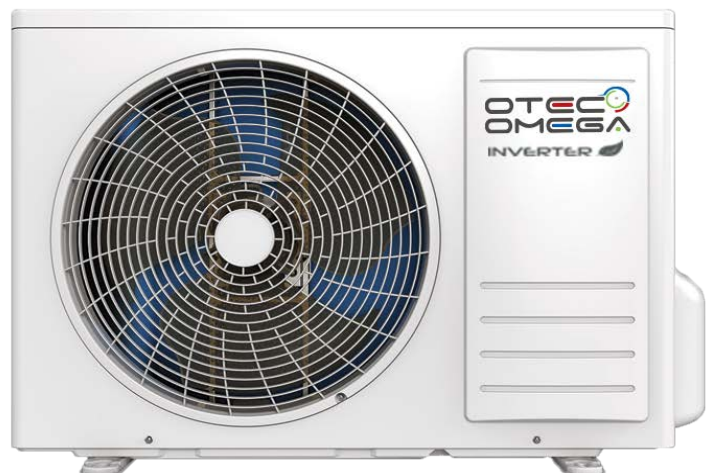
FEATURES

Outdoor Unit Features

- DC Inverter Rotary Compressor
- Corrosion-Resistant Cabinet
- High-Efficiency Coils
- Soft Start for all Models
- Super Quiet Operation
- Low-Voltage Startup

Indoor Unit Features

- Turbo Cooling Function
- Washable High-Density Filter
- Super Quiet
- Auto Swing (Louver)
- Up to 18 SEER in Cooling Mode
- Anti-Mildew Dry Technology



1. Specifications

IEWV Mini Split IDU



INDOOR UNIT

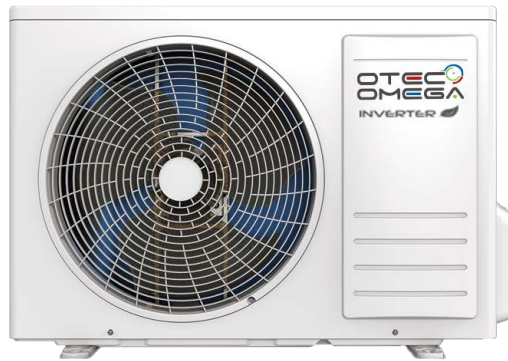
MODEL NO.	IEWV	009I 3A-YWI022	012I 3A-YWI036	018I 3A-YWH056	024I 3A-YWH071
Cooling Capacity BTU/h (kW)	Nominal	9,000 (2.2)	12,000 (3.6)	18,000 (5.6)	24,000 (7.1)
	Minimum	1,365 (0.4)	1,875 (0.55)	3,410 (1.0)	4,775 (1.4)
	Maximum	11,260 (3.3)	13,650 (4.0)	22,860 (6.7)	23,885 (7.0)
Efficiency	SEER	18.1	18.0	17.4	17.4
Refrigerant Control		Capillary Tube			
Fan	Type	Cross-Flow Fan			
	Speed	4			
	Air Flow CFM (m ³ /hr) - Hi	312 (530)	388 (660)	500 (850)	500 (850)
	Noise Level (dba) Hi/Lo	39/21	42/26	47/30	48/31
	Motor (W)	18	22	40	40
Coil Type:		Grooved Copper Tubes - Aluminum Slit Fin			
Air Filter		Cleanable Cartridge Type			
Electrical	Voltage	220~240V - 1Ph @ 50Hz			
	Range	min 187~max 253			
	FLA	0.08	0.10	0.18	0.18
Controls		LCD Wireless Remote Control			
Refrigerant Connections inches (mm)		See Outdoor Unit Data			
Drain Connections inches (mm)		1/2 (12)			
Dimensions inches (mm)	Height	11 (279)	11 1/2 (291)	11 7/8 (302)	11 7/8 (302)
	Width	31 1/8 (792)	33 1/2 (850)	38 3/8 (972)	38 3/8 (972)
	Depth	7 3/4 (195)	8 (203)	8 7/8 (224)	8 7/8 (224)
Net Weight	lbs (kgs)	19.8 (9)	22.0 (10.0)	29.8 (13.5)	29.8 (13.5)

NOTES

1. The cooling conditions: indoor side 27°C(80.6°F) DB, 19°C(60°F)WB outdoor side 35°C(95°F) DB.
2. The heating conditions: indoor side 20°C(68°F) DB, 15°C(44.6°F)WB outdoor side 7°C(42.8°F)DB.
3. Sound level: measured at a point 1 m in front of the unit at a height of 1.5 m. During actual operation, these values are normally somewhat higher as a result of ambient conditions.
4. The company reserves the right to revise product technical parameter without having to notify the clients individually.

1. Specifications

ICHV Mini Split ODU



OUTDOOR UNIT					
MODEL NO.	ICHV	009I 3A-YSI022	012I 3A-YSI036	018I 3A-YSH056	024I 3A-YSH071
Compressor Type		Rotary			
Outdoor Fan	No of Fans	1	1		1
	Noise Level (dbA)	50	51	53	54
Cooling Capacity (Btuh/h)		9008	12010	17981	22007
Airflow Volume	CFM	312/288/253/194	388/317/270/194	500/424/359/306	500/424/359/306
	m3/h	530/490/430/330	660/540/460/330	850/720/610/520	850/720/610/520
Coil Type:		Grooved Copper Tubes - Aluminum Slit Fin			
Electrical	Voltage	220~240-1Ph @ 50Hz			
	Range (min-max)	min 187~max 253			
	Compressor (RLA)	3.5	3.5	6.1	8.1
	Cooling Pwr. Input Nom. (W)	810	1100	1735	2120
	Min. Circuit Amps (MCA)	4.46	4.48	7.81	10.3
	Max Fuse Amps (MOCP)	8.0	8.0	13.9	18.4
Refrigerant R410A (oz./kgs.)		22.9 / 0.65	26.5 / 0.75	30.7 / 0.87	45.9 / 1.3
Refrigerant Connections inches (mm)	Type	Flare			
	Liquid	1/4 (6.35)	1/4 (6.35)	1/4 (6.35)	1/4 (6.35)
	Suction	3/8 (9.52)	3/8 (9.52)	1/2 (12.7)	5/8 (15.9)
Max Pipe Distance ft. (m)	Height	33 (10)			
	Length	66 (20)		82 (25)	
Dimensions inches (mm)	Height	21 1/4 (540)	21 1/4 (540)	23 5/8 (598)	23 5/8 (598)
	Width	32 3/4 (830)	32 3/4 (830)	35 (890)	35 (890)
	Depth	12 7/8 (325)	12 7/8 (325)	14 5/8 (372)	14 5/8 (372)
Net Weight	lbs (kgs)	60.6 (27.5)	61.7 (28)	79.4 (36)	88.2 (40)

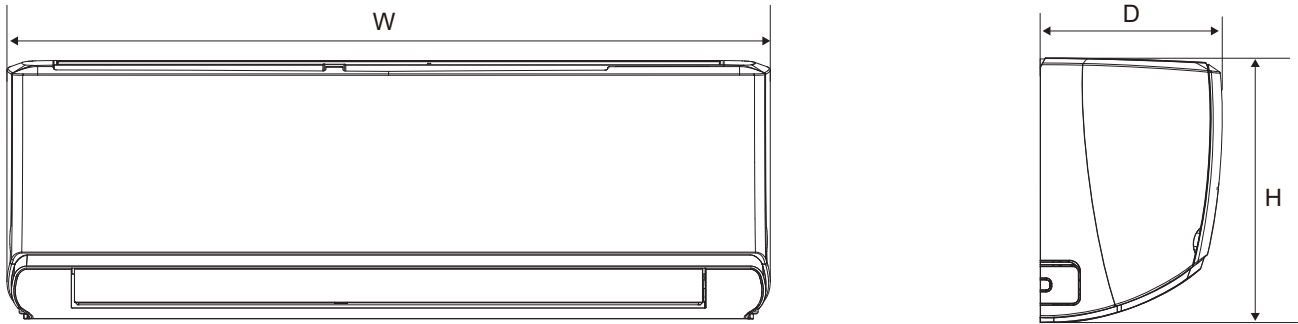
NOTES

1. The cooling conditions: indoor side 27°C(80.6°F) DB, 19°C(60°F)WB outdoor side 35°C(95°F) DB.
2. The heating conditions: indoor side 20°C(68°F) DB, 15°C(44.6°F)WB outdoor side 7°C(42.8°F)DB.
3. Sound level: measured at a point 1 m in front of the unit at a height of 1.5 m. During actual operation, these values are normally somewhat higher as a result of ambient conditions.
4. The company reserves the right to revise product technical parameter without having to notify the clients individually.

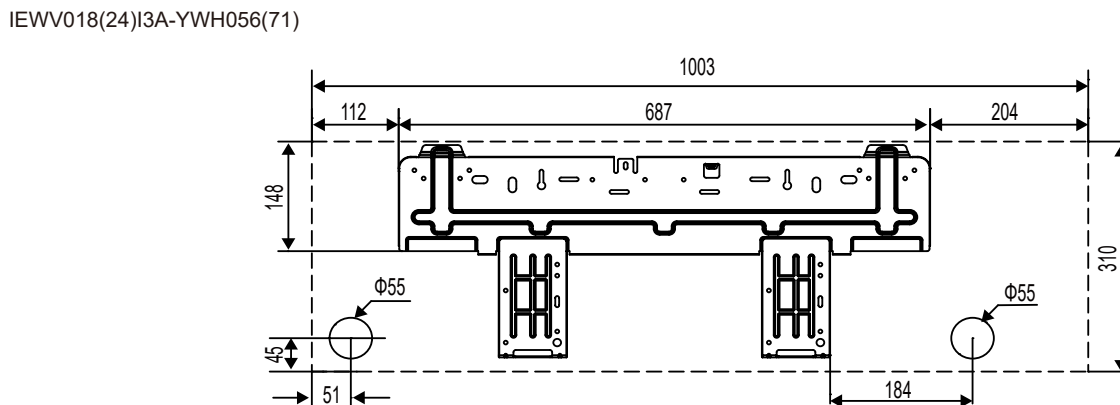
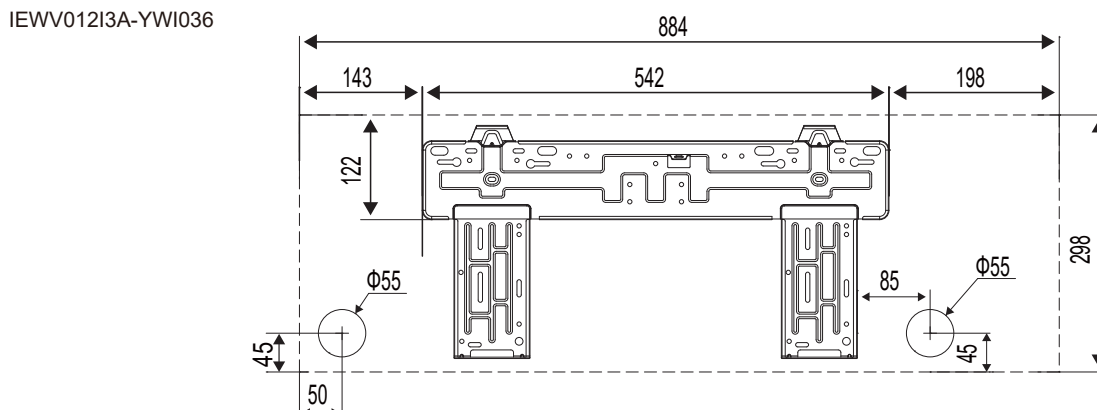
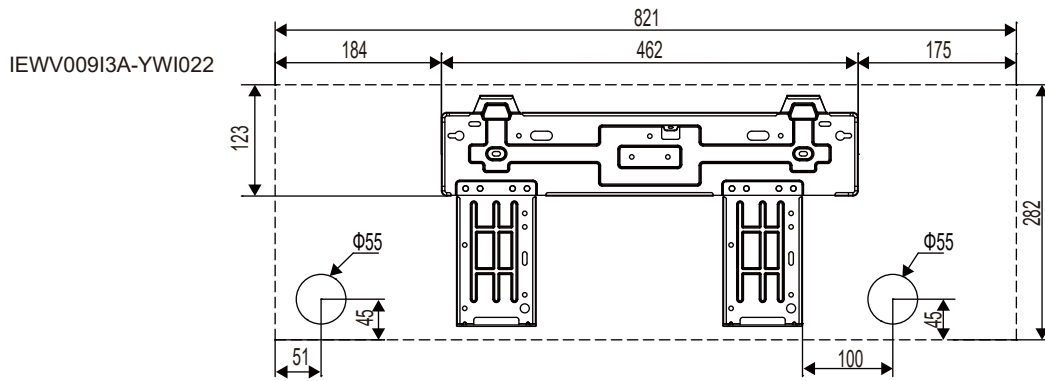
2. Dimensional Drawings

2.1 Indoor Unit

Unit:mm



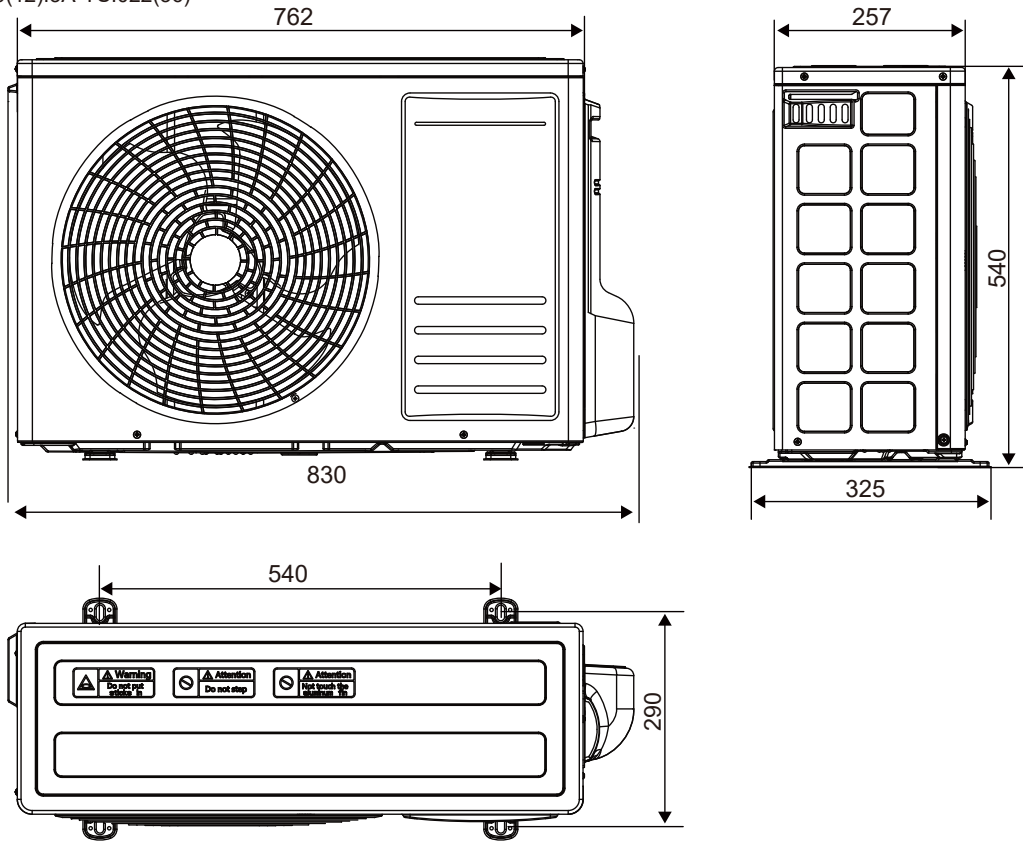
Model	W(mm)	H(mm)	D(mm)
IEWV009I3A-YWI022	821	282	200
IEWV012I3A-YWI036	884	298	205
IEWV018(24)I3A-YWH056(71)	1003	310	222



2. Dimensional Drawings

Unit:mm

ICHV009(12)I3A-YSI022(36)



ICHV018(24)I3A-YSH056(71)

