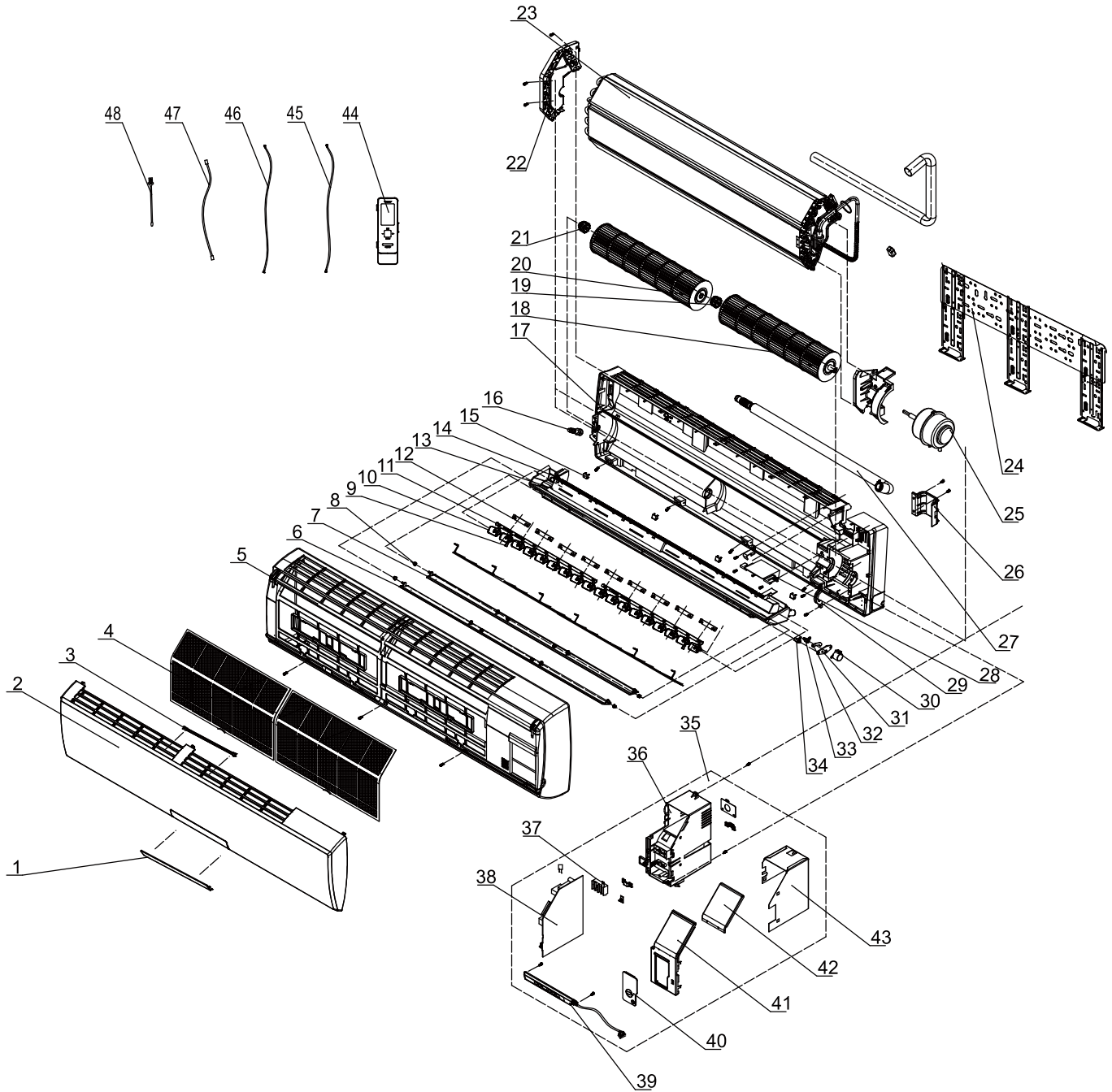


10. Exploded View and Parts List

10.1 Indoor Unit

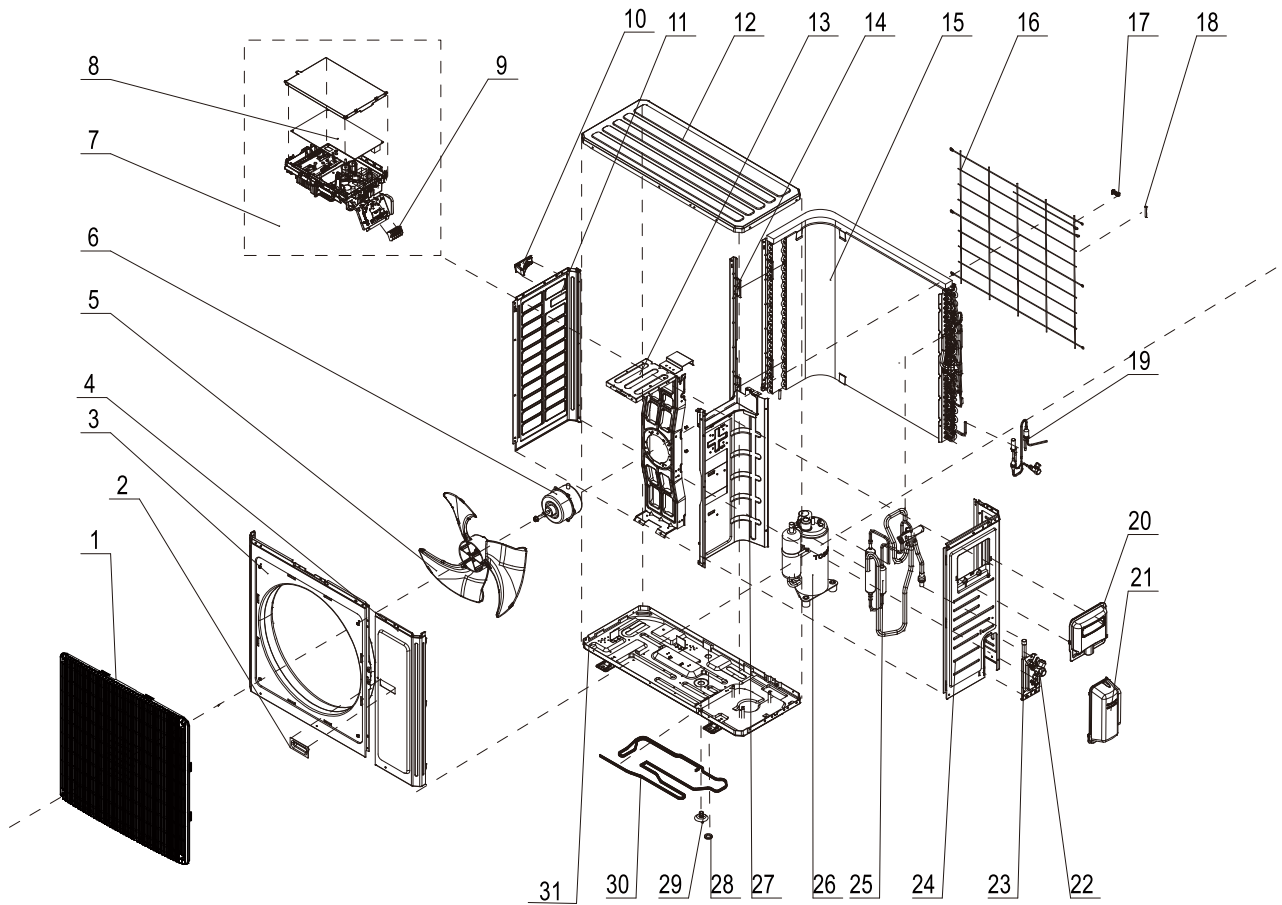


The component picture is only for reference; please refer to the actual product.

No.	Description	Part Code	Qty
		IEWQ036J3A-RWI100	
Product Code		CB432N22800	
1	Receiver Window	22430142	1
2	Front Panel	20000300022S	1
3	Stand Bar	2421212001	1
4	Filter Sub-Assy	1112210602	2
5	Front Case Sub-assy	20900700005	1
6	Upper Guide Louver	1051216601	1
7	Lower Guide Louver	1051216701	1
8	Axile Bush	10542704	6
9	Air Louver 2	1051216902	2
10	Air Louver 1	1051216802	16
11	Connecting Rod	10582086	2
12	Louver Clamp	26112127	9
13	Water Tray	2018213802	1
14	Air Guider System in Water Tray Assy	/	/
15	Screw Cover	2425200506	4
16	Rubber Plug (Water Tray)	76712012	1
17	Rear Case Sub-Assy	20162027	1
18	Cross Flow Fan 1	10352039	1
19	Bearing Holder Sub-assy	26152028	1
20	Cross Flow Fan 2	10352040	1
21	O-Gasket of Cross Fan Bearing	76512203	1
22	Left Evaporator Support	24212041	1
23	Evaporator Assy	01100100014001	1
24	Wall Mounting Frame	01252398	1
25	Fan Motor	1501213401	1
26	Pipe Clamp	26112071	1
27	Drainage Hose	0523001404	1
28	Cover Plate	2012212402	1
29	Motor Fixed Clip 1	26112324	1
30	Stepping Motor	1521210701/15012122/1501207902	1
31	Press Plate(Crank)	26112070	1
32	Crank-guide	10582041	1
33	Upper Crank	10562004	1
34	Lower Crank	10562005	1
35	Electric Box Assy	100002067870	1
36	Electric Box	2010225006	1
37	Terminal Board	42011233	1
38	Main Board	300002060953	1
39	Display Board	30565277	1
40	Electric Box Cover	2011204404S	1
41	Electric Box Cover	2011204404	1
42	Upper Shield Cover of Electric Box	01592033	1
43	Lower Shield Cover of Electric Box	01592034	1
44	Remote Controller	305001000100	1
45	Connecting Cable	4002052332	0
46	Connecting Cable	/	/
47	Temperature Sensor	390000453	1
48	Temperature Sensor	390000592	1

Above data is subject to change without notice.

10.2 Outdoor Unit



The component picture is only for reference; please refer to the actual product.

NO.	Description	Part Code	Qty
		ICHQ036J3A-RLH100	
		Product Code	
		CB434W14900	
1	Front Grill	22415003	1
2	Handle	26233053	1
3	Cabinet	01435004P	1
4	Front Side Plate	01305086P	1
5	Axial Flow Fan	10335014	3
6	Fan Motor	15010400000102	1
7	Electric Box Assy	100002065740	1
8	Main Board	300027060700	1
9	Terminal Board	422000060009	1
10	Handle	26233053	1
11	Left Side Plate	01305043P	1
12	Coping	01255020P	1
13	Motor Support Sub-Assy	017012000015	1
14	Condenser Support Plate	01175092	1
15	Condenser Assy	01100200643	1
16	Rear Grill	01475013	1
17	Wiring clamp	26115004	1
18	Temperature Sensor	3900030901	1
19	Electronic Expansion Valve	43005016	1
20	Big Handle	26235001	1
21	Valve Cover	22245003	1
22	Cut off Valve	07130239	1
23	Valve Support Sub-Assy	0171501201P	1
24	Right Side Plate	0130504401P	1
25	4-way Valve Assy	030152000333	1
26	Compressor and fitting	00900100019501	1
27	Clapboard	01702100004	1
28	Drainage hole Cap	06813401	1
29	Drainage Connector	06123025	1
30	Electrical Heater (Chassis)	/	/
31	Chassis Sub-assy	02803196P	1

Above data is subject to change without notice.