

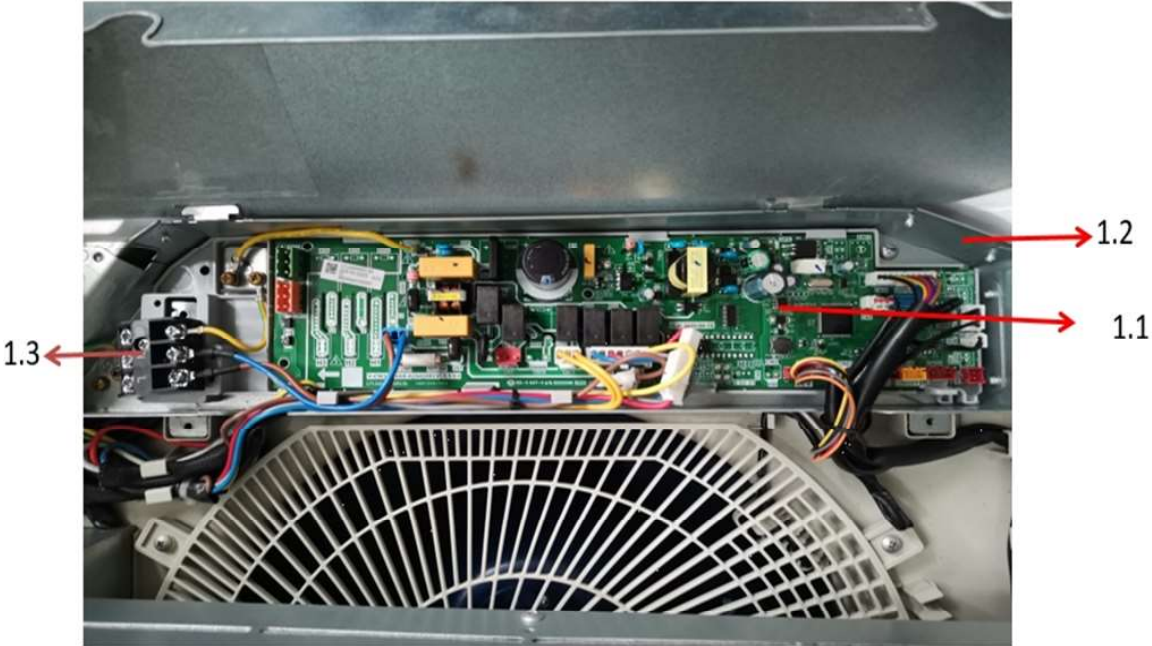
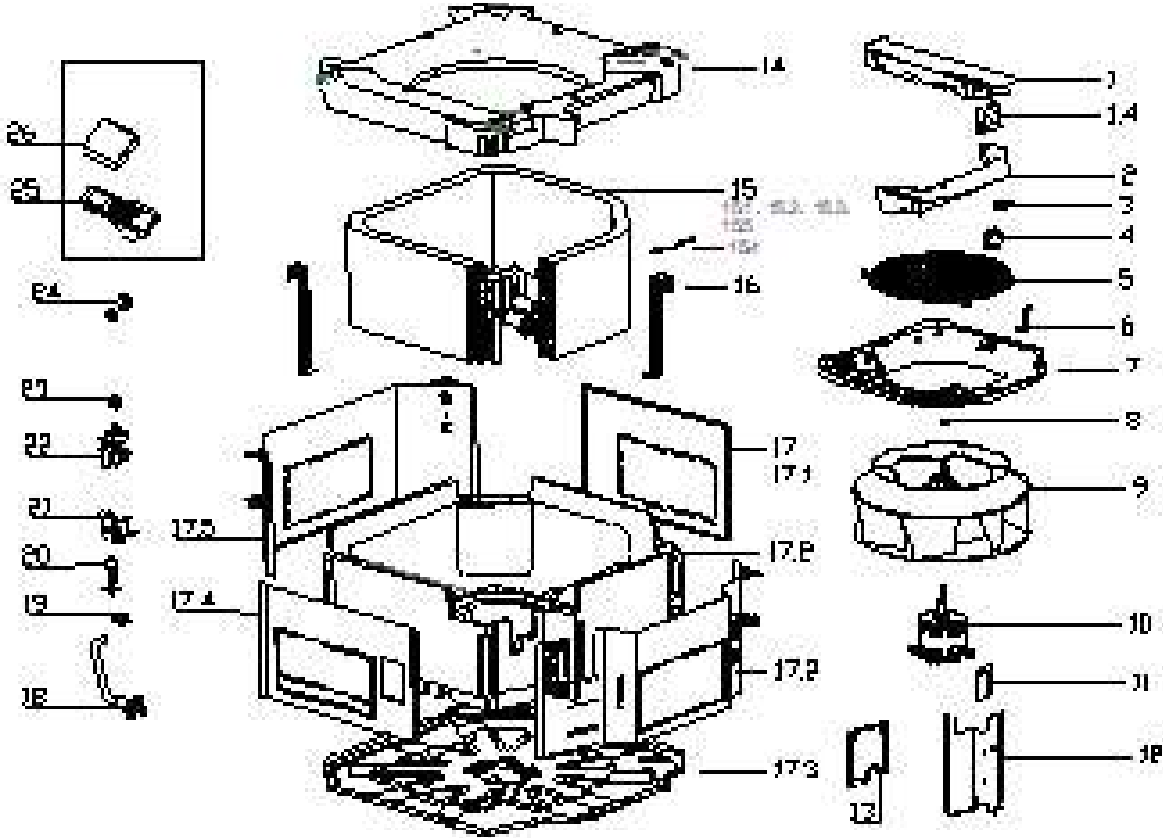


## Model: BECS010Q3A-D

No.	Part Name	Part No.
1	E-part box assembly	17226000004639
1.1	Indoor unit main control board	17126000005189
1.2	E-part box ass'y	12226000000128
1.3	Wire terminal	17400401000189
1.4	Supportor	12226000001893
2	Tension clip	12226000001913
3	Clip	12200203000041
4	Fan motor capacitor	17400101000018
5	Fan fence	12126000000041
6	Supportor	12226000001917
7	Ring ass'y	12126000000114
8	Fan clip	12222500000126
9	centrifuge fan	12100103000149
10	Single phase asynchronous motor	11002012000792
11	Cover subassembly	12222500000067
12	Evaporator connection board	12226000000119
13	Sealed board ass'y	12126000000332
14	Water collection foam assembly	12826000000210
15	Evaporator ass'y	15826000000224
15.1	Evaporator	15826000000213
15.2	Evaporator input pipe ass	15426000000175
15.2.1	Electronic expansion valve suite	15500213000968
15.3	Evaporator output pipe Ass'y	15126000001320
15.4	Pipe Temperature Sensor	11201007000164
16	Evaporator fixing hanger	12226000000112
16	sponge	12422500000451
17	Base assembly	12226000000704
17.1	Board ass'y	12226000000092
17.2	Foam	12826000000018
17.4	Base	12226000000502
17.5	Board ass'y	12226000000091
17.6	Board ass'y	12226000000093
19	Bracket of water level sensor	12126000000043
20	Water level switch	17400511000039
21	Water Pump installation bracket ass'y	12226000000115
22	Drain pump	17400802000173
23	Rubber washer	12600401001935
24	Brass nut	15500406000191
24	Brass nut	15500406000230

# Exploded Views and Parts Listing

Indoor Unit Model: BECS012Q3A-D

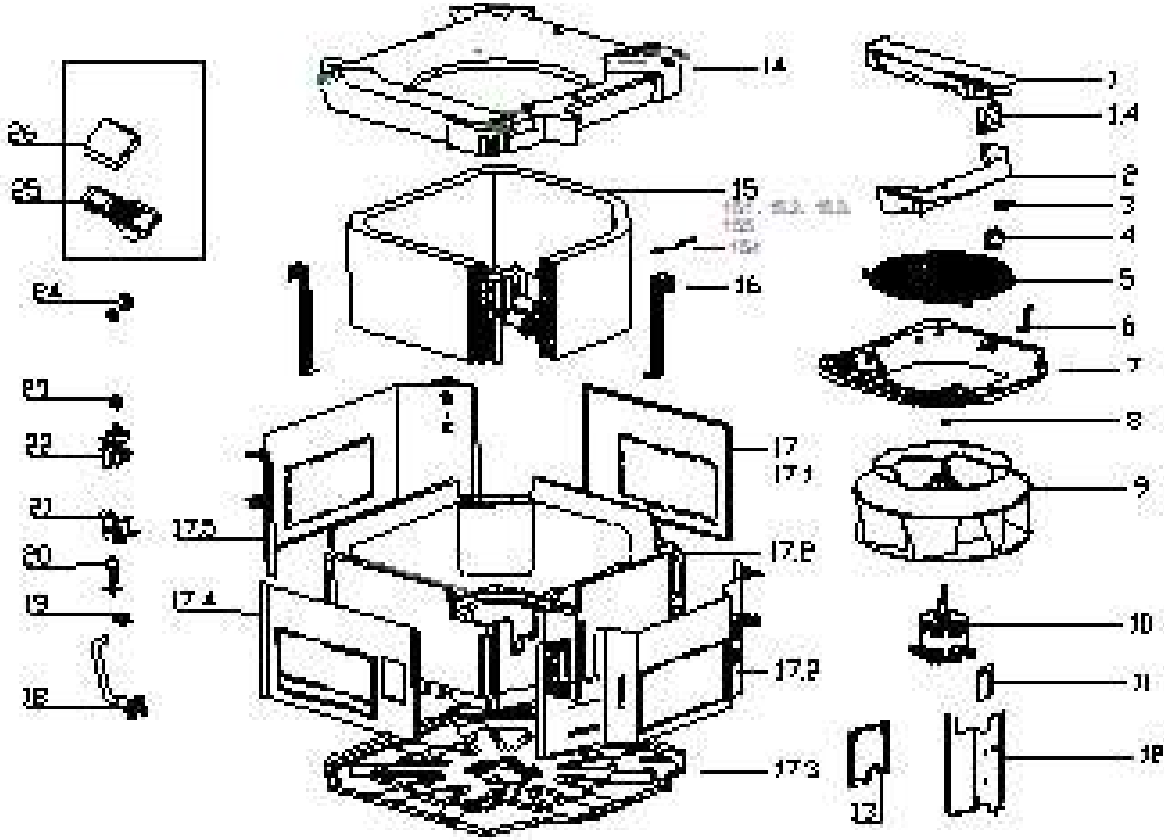


**Model: BECS012Q3A-D**

No.	Part Name	Part No.
1	E-part box assembly	17226000004639
1.1	Indoor unit main control board	17126000005189
1.2	E-part box ass'y	12226000000128
1.3	Wire terminal	17400401000189
1.4	Supportor	12226000001893
2	Tension clip	12226000001913
3	Clip	12200203000041
4	Fan motor capacitor	17400101000018
5	Fan fence	12126000000041
6	Supportor	12226000001917
7	Ring ass'y	12126000000114
8	Fan clip	12222500000126
9	centrifuge fan	12100103000149
10	Single phase asynchronous motor	11002012000792
11	Cover subassembly	122225000000067
12	Evaporator connection board	12226000000119
13	Sealed board ass'y	12126000000332
14	Water collection foam assembly	12826000000210
15	Evaporator ass'y	15826000000224
15.1	Evaporator	15826000000213
15.2	Evaporator input pipe ass	15426000000175
15.2.1	Electronic expansion valve suite	15500213000968
15.3	Evaporator output pipe Ass'y	15126000001320
15.4	Pipe Temperature Sensor	11201007000164
16	sponge	12422500000451
16	Evaporator fixing hanger	12226000000112
17	Base assembly	12226000000704
17.1	Board ass'y	12226000000092
17.2	Foam	12826000000018
17.4	Base	12226000000502
17.5	Board ass'y	12226000000091
17.6	Board ass'y	12226000000093
19	Bracket of water level sensor	12126000000043
20	Water level switch	17400511000039
21	Water Pump installation bracket ass'y	12226000000115
22	Drain pump	17400802000173
23	Rubber washer	12600401001935
24	Brass nut	15500406000191
24	Brass nut	15500406000230

# Exploded Views and Parts Listing

Indoor Unit Model: BECS015Q3A-D

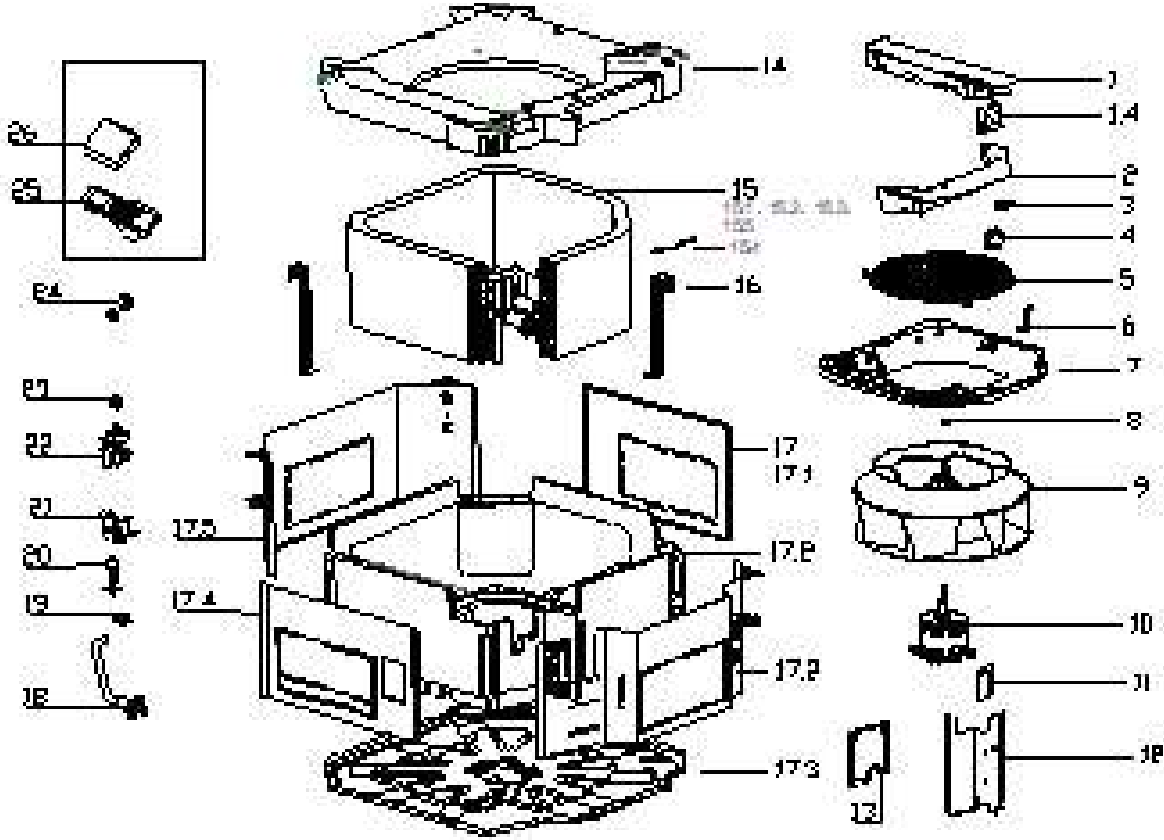


**Model: BECS015Q3A-D**

No.	Part Name	Part No.
1	E-part box assembly	17226000004639
1.1	Indoor unit main control board	17126000005189
1.2	E-part box ass'y	12226000000128
1.3	Wire terminal	17400401000189
1.4	Supportor	12226000001893
2	Tension clip	12226000001913
3	Clip	12200203000041
4	Fan motor capacitor	17400101000013
5	Fan fence	12126000000041
6	Supportor	12226000001917
7	Ring ass'y	12126000000114
8	Fan clip	12222500000126
9	centrifuge fan	12100103000149
10	Single phase asynchronous motor	11002012000792
11	Cover subassembly	12222500000067
12	Evaporator connection board	12226000000118
13	Sealed board ass'y	12126000000332
14	Water collection foam assembly	12826000000210
15	Evaporator ass'y	15826000000243
15.1	Evaporator	15826000000209
15.2	Evaporator input pipe ass'y	15426000000170
15.2.1	Electronic expansion valve suite	15500213000968
15.3	Evaporator output pipe ass'y	15126000001323
15.4	Pipe Temperature Sensor	11201007000164
16	Evaporator fixing hanger	12226000000112
17	Base assembly	12226000000704
17.1	Board ass'y	12226000000092
17.2	Foam	12826000000018
17.4	Base	12226000000502
17.5	Board ass'y	12226000000091
17.6	Board ass'y	12226000000093
19	Bracket of water level sensor	12126000000043
20	Water level switch	17400511000039
21	Water Pump installation bracket ass'y	12226000000115
22	Drain pump	17400802000173
23	Rubber washer	12600401001935
24	Brass nut	15500406000230
24	Brass nut	15500406000191

# Exploded Views and Parts Listing

Indoor Unit Model: BECS019Q3A-D



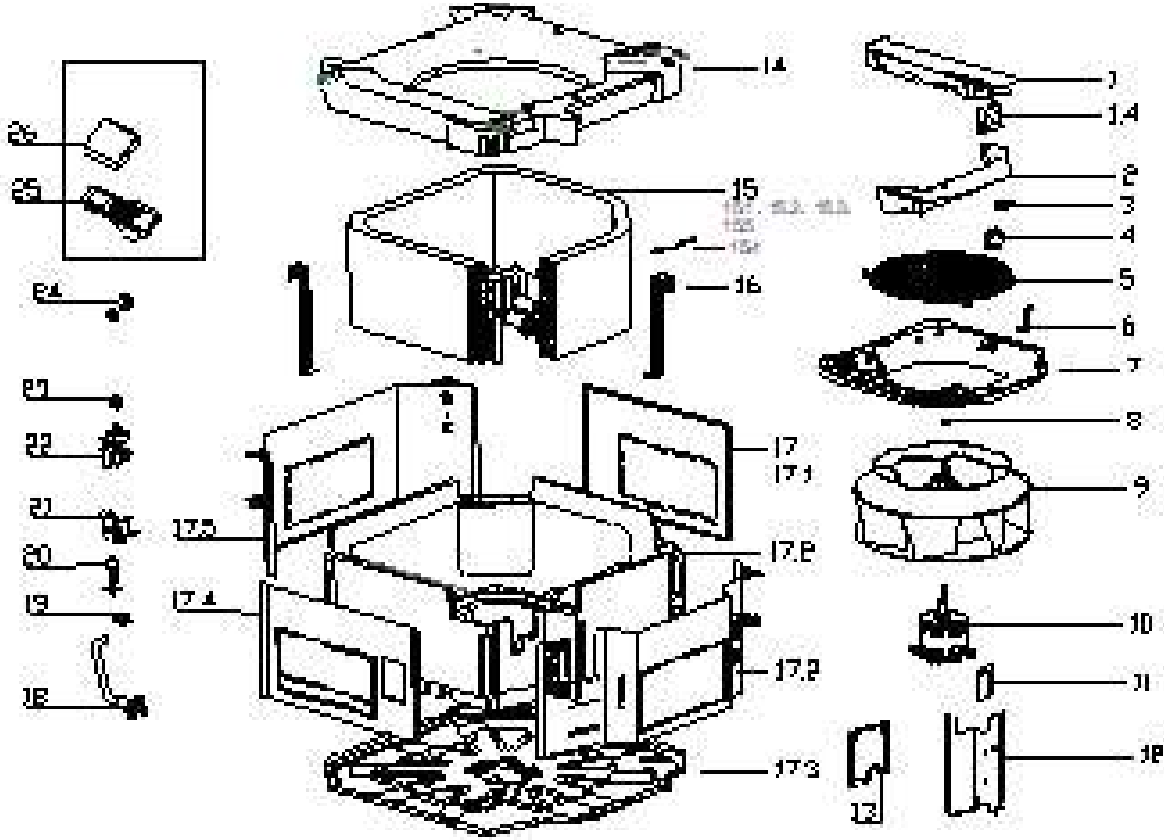
**Model: BECS019Q3A-D**

No.	Part Name	Part No.
1	E-part box assembly	17226000004639
1.1	Indoor unit main control board	17126000005189
1.2	E-part box ass'y	12226000000128
1.3	Wire terminal	17400401000189
1.4	Supportor	12226000001893
2	Tension clip	12226000001913
3	Clip	12200203000041
4	Fan motor capacitor	17400101000013
5	Fan fence	12126000000041
6	Supportor	12226000001917
7	Ring ass'y	12126000000114
8	Fan clip	12222500000126
9	centrifuge fan	12100103000149
10	Single phase asynchronous motor	11002012000792
11	Cover subassembly	12222500000067
12	Evaporator connection board	12226000000118
13	Sealed board ass'y	12126000000332
14	Water collection foam assembly	12826000000210
15	Evaporator ass'y	15826000000233
15.1	Evaporator	15826000000209
15.2	Evaporator input pipe ass'y	15426000000171
15.2.1	Electronic expansion valve suite	15500213000968
15.3	Evaporator output pipe ass'y	15126000001334
15.4	Pipe Temperature Sensor	11201007000164
16	Evaporator fixing hanger	12226000000112
17	Base assembly	12226000000704
17.1	Board ass'y	12226000000092
17.2	Foam	12826000000018
17.4	Base	12226000000502
17.5	Board ass'y	12226000000091
17.6	Board ass'y	12226000000093
19	Bracket of water level sensor	12126000000043
20	Water level switch	17400511000039
21	Water Pump installation bracket ass'y	12226000000115
22	Drain pump	17400802000173
23	Rubber washer	12600401001935
24	Brass nut	15500406000190
24	Brass nut	15500406000210



# Exploded Views and Parts Listing

Indoor Unit Model: BECS024Q3A-D

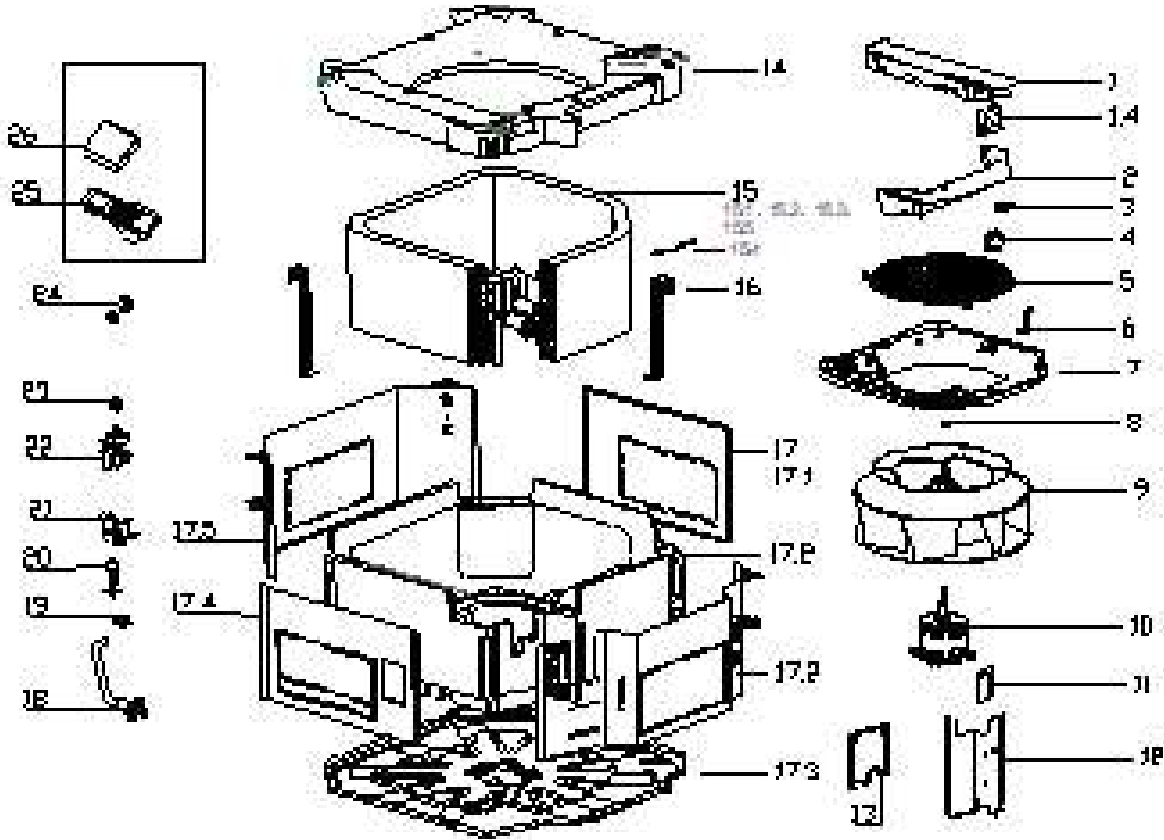


**Model: BECS024Q3A-D**

No.	Part Name	Part No.
1	E-part box assembly	17226000004639
1.1	Indoor unit main control board	17126000005189
1.2	E-part box ass'y	12226000000128
1.3	Wire terminal	17400401000189
1.4	Supportor	12226000001893
2	Tension clip	12226000001913
3	Clip	12200203000041
4	Fan motor capacitor	17400101000013
5	Fan fence	12126000000041
6	Supportor	12226000001917
7	Ring ass'y	12126000000114
8	Fan clip	12222500000126
9	centrifuge fan	12100103000149
10	Single phase asynchronous motor	11002012003669
11	Cover subassembly	12222500000067
12	Evaporator connection board	12226000000118
13	Sealed board ass'y	12126000000332
14	Water collection foam assembly	12826000000210
15	Evaporator ass'y	15826000000233
15.1	Evaporator	15826000000209
15.2	Evaporator input pipe ass'y	15426000000171
15.2.1	Electronic expansion valve suite	15500213000968
15.3	Evaporator output pipe ass'y	15126000001334
15.4	Pipe Temperature Sensor	11201007000164
16	Evaporator fixing hanger	12226000000112
17	Base assembly	12226000000704
17.1	Board ass'y	12226000000092
17.2	Foam	12826000000018
17.4	Base	12226000000502
17.5	Board ass'y	12226000000091
17.6	Board ass'y	12226000000093
19	Bracket of water level sensor	12126000000043
20	Water level switch	17400511000039
21	Water Pump installation bracket ass'y	12226000000115
22	Drain pump	17400802000173
23	Rubber washer	12600401001935
24	Brass nut	15500406000210
24	Brass nut	15500406000190

# Exploded Views and Parts Listing

Indoor Unit Model: BECS027Q3A-D

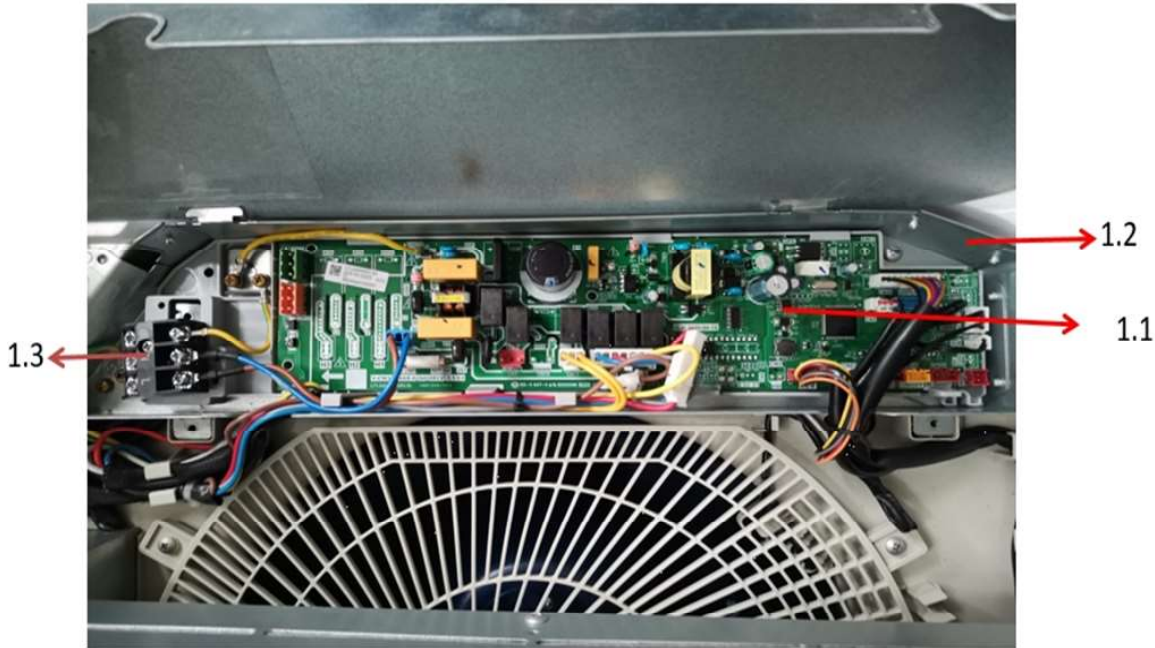
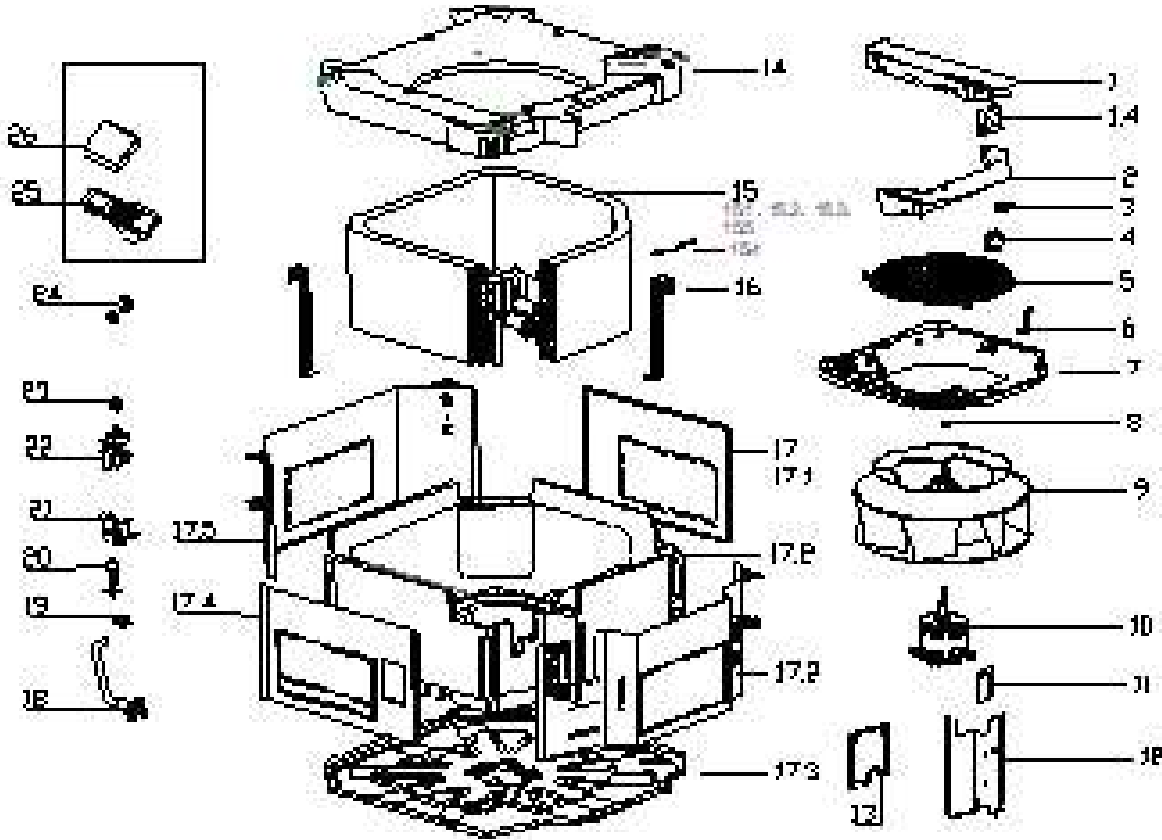


**Model: BECS027Q3A-D**

No.	Part Name	Part No.
1	E-part box assembly	17226000004639
1.1	Indoor unit main control board	17126000005189
1.2	E-part box ass'y	12226000000128
1.3	Wire terminal	17400401000189
1.4	Supportor	12226000001893
2	Tension clip	12226000001913
3	Clip	12200203000041
4	Capacitor of fan motor	17400101000003
5	Fan fence	12126000000041
6	Supportor	12226000001917
7	Ring ass'y	12126000000114
8	Fan clip	12222500000126
9	centrifuge fan	12100103000149
10	Single phase asynchronous motor	11002012001017
11	Cover subassembly	12222500000067
12	Evaporator connection board	12226000000118
13	Sealed board ass'y	12126000000332
14	Water collection foam assembly	12826000000210
15	Evaporator ass'y	15826000000233
15.1	Evaporator	15826000000209
15.2	Evaporator input pipe ass'y	15426000000171
15.2.1	Electronic expansion valve suite	15500213000968
15.3	Evaporator output pipe ass'y	15126000001334
15.4	Pipe Temperature Sensor	11201007000164
16	Evaporator fixing hanger	12226000000112
17	Base assembly	12226000000704
17.1	Board ass'y	12226000000092
17.2	Foam	12826000000018
17.4	Base	12226000000502
17.5	Board ass'y	12226000000091
17.6	Board ass'y	12226000000093
19	Bracket of water level sensor	12126000000043
20	Water level switch	17400511000039
21	Water Pump installation bracket ass'y	12226000000115
22	Drain pump	17400802000173
23	Rubber washer	12600401001935
24	Brass nut	15500406000210
24	Brass nut	15500406000190

# Exploded Views and Parts Listing

Indoor Unit Model: BECS035Q3A-D

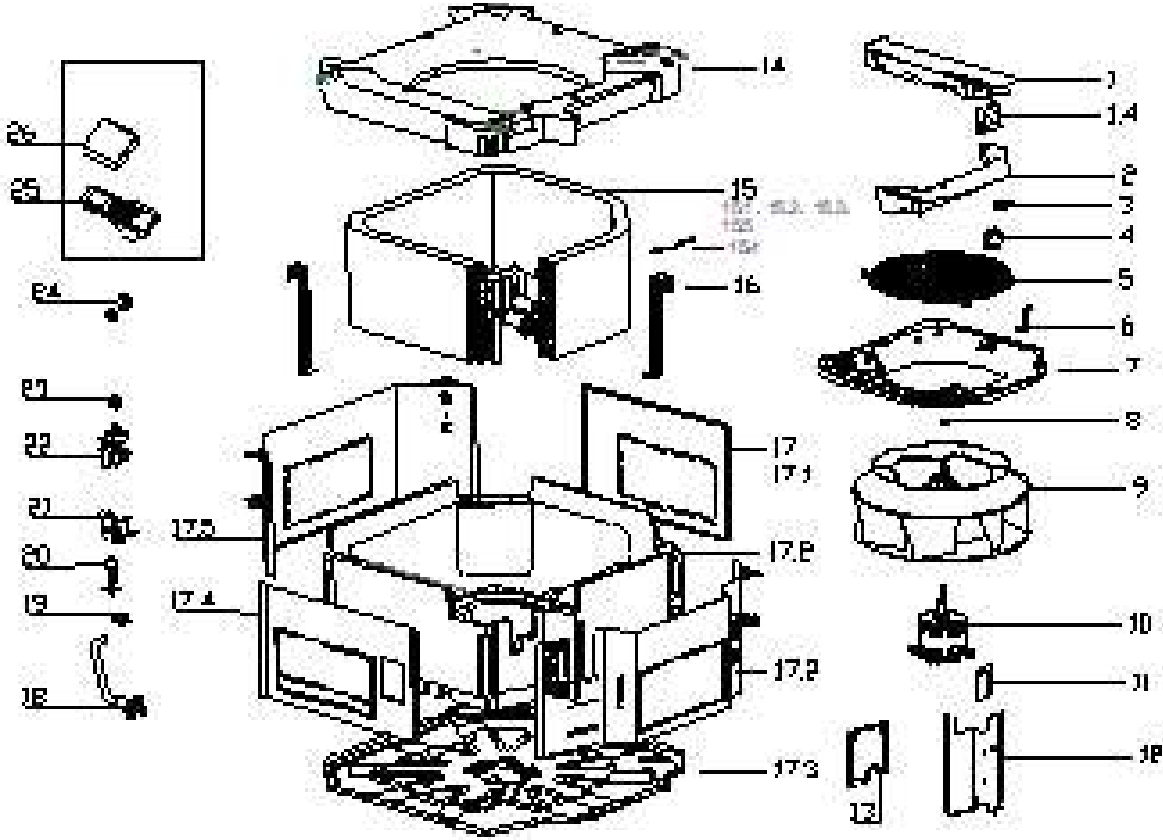


## Model: BECS035Q3A-D

No.	Part Name	Part No.
1	E-part box assembly	17226000004639
1.1	Indoor unit main control board	17126000005189
1.2	E-part box ass'y	12226000000128
1.3	Wire terminal	17400401000189
1.4	Supportor	12226000001893
2	Tension clip	12226000001913
3	Clip	12200203000041
4	Fan motor capacitor	17400101000024
5	Fan fence	12126000000041
6	Supportor	12226000001917
7	Ring ass'y	12126000000114
8	Fan clip	12222500000126
9	centrifuge fan	12100103000142
10	Single phase asynchronous motor	11002012000412
11	Cover subassembly	12222500000067
12	Evaporator connection board	12226000000121
13	Sealed board ass'y	12126000000332
14	Drain pan foam part	12826000000150
15	Evaporator ass'y	15826000000225
15.1	Evaporator	15826000000216
15.2	Evaporator input pipe ass'y	15426000000165
15.2.1	Electronic expansion valve suite	15500213000968
15.3	Evaporator output pipe ass'y	15126000001327
15.4	Pipe Temperature Sensor	11201007000181
16	Evaporator fixing hanger	12226000000107
17	Base pan	12226000000702
17.1	Board ass'y	12226000000090
17.2	Foam	12826000000014
17.3	Clapboard ass'y	12226000000105
17.4	Chassis	12226000000503
17.5	Board II ass'y	12226000000095
17.6	Coaming assembly	12226000000106
19	Bracket of water level sensor	12126000000043
20	Water level switch	17400511000039
21	Water Pump installation bracket ass'y	12226000000115
22	Drain pump	17400802000173
23	Rubber washer	12600401001935
24	Brass nut	15500406000190
24	Brass nut	15500406000210

# Exploded Views and Parts Listing

Indoor Unit Model: BECS036Q3A-D



**Model: BECS036Q3A-D**

No.	Part Name	Part No.
1	E-part box assembly	17226000004639
1.1	Indoor unit main control board	17126000005189
1.2	E-part box ass'y	12226000000128
1.3	Wire terminal	17400401000189
1.4	Supportor	12226000001893
2	Tension clip	12226000001913
3	Clip	12200203000041
4	Capacitor of fan motor	17400101000003
5	Fan fence	12126000000041
6	Supportor	12226000001917
7	Ring ass'y	12126000000114
8	Fan clip	12222500000126
9	centrifuge fan	12100103000142
10	Asynchronous motor	11002012001335
11	Cover subassembly	12222500000067
12	Evaporator connection board	12226000000121
13	Sealed board ass'y	12126000000332
14	Drain pan foam part	12826000000150
15	Evaporator ass'y	15826000000225
15.1	Evaporator	15826000000216
15.2	Evaporator input pipe ass'y	15426000000165
15.2.1	Electronic expansion valve suite	15500213000968
15.3	Evaporator output pipe ass'y	15126000001327
15.4	Pipe Temperature Sensor	11201007000181
16	Evaporator fixing hanger	12226000000107
17	Base pan	12226000000702
17.1	Board ass'y	12226000000090
17.2	Foam	12826000000014
17.3	Clapboard ass'y	12226000000105
17.4	Chassis	12226000000503
17.5	Board II ass'y	12226000000095
17.6	Coaming assembly	12226000000106
19	Bracket of water level sensor	12126000000043
20	Water level switch	17400511000039
21	Water Pump installation bracket ass'y	12226000000115
22	Drain pump	17400802000173
23	Rubber washer	12600401001935
24	Brass nut	15500406000210
24	Brass nut	15500406000190





**Model: BECS048Q3A-D**

No.	Part Name	Part No.
1	E-part box assembly	17226000004639
1.1	Indoor unit main control board	17126000005189
1.2	E-part box ass'y	12226000000128
1.3	Wire terminal	17400401000189
1.4	Supportor	12226000001893
2	Tension clip	12226000001913
3	Clip	12200203000041
4	Fan motor capacitor	17400101000038
5	Fan fence	12126000000041
6	Supportor	12226000001917
7	Ring ass'y	12126000000114
8	Fan clip	12222500000126
9	centrifuge fan	12100103000142
10	Asynchronous motor	11002012001335
11	Cover subassembly	12222500000067
12	Evaporator connection board	12226000000120
13	Sealed board ass'y	12126000000332
14	Drain pan foam part	12826000000150
15	Evaporator ass'y	15826000000242
15.1	Evaporator	15826000000218
15.2	Evaporator input pipe ass'y	15426000000169
15.2.1	Electronic expansion valve suite	15500213000966
15.3	Evaporator output pipe ass'y	15126000001325
15.4	Pipe Temperature Sensor	11201007000181
16	Evaporator fixing hanger	12226000000111
17	Base pan	12226000000702
17.1	Board ass'y	12226000000090
17.2	Foam	12826000000014
17.3	Clapboard ass'y	12226000000105
17.4	Chassis	12226000000503
17.5	Board II ass'y	12226000000095
17.6	Coaming assembly	12226000000106
19	Bracket of water level sensor	12126000000043
20	Water level switch	17400511000039
21	Water Pump installation bracket ass'y	12226000000115
22	Drain pump	17400802000173
23	Rubber washer	12600401001935
24	Brass nut	15500406000210
24	Brass nut	15500406000190



**Model: BECS038Q3A-D**

No.	Part Name	Part No.
1	E-part box assembly	17226000004639
1.1	Indoor unit main control board	17126000005189
1.2	E-part box ass'y	12226000000128
1.3	Wire terminal	17400401000189
1.4	Supportor	12226000001893
2	Tension clip	12226000001913
3	Clip	12200203000041
4	Capacitor of fan motor	17400101000003
5	Fan fence	12126000000041
6	Supportor	12226000001917
7	Ring ass'y	12126000000114
8	Fan clip	12222500000126
9	centrifuge fan	12100103000142
10	Asynchronous motor	11002012001335
11	Cover subassembly	12222500000067
12	Evaporator connection board	12226000000121
13	Sealed board ass'y	12126000000332
14	Drain pan foam part	12826000000150
15	Evaporator ass'y	15826000000225
15.1	Evaporator	15826000000216
15.2	Evaporator input pipe ass'y	15426000000165
15.2.1	Electronic expansion valve suite	15500213000968
15.3	Evaporator output pipe ass'y	15126000001327
15.4	Pipe Temperature Sensor	11201007000181
16	Evaporator fixing hanger	12226000000107
17	Base pan	12226000000702
17.1	Board ass'y	12226000000090
17.2	Foam	12826000000014
17.3	Clapboard ass'y	12226000000105
17.4	Chassis	12226000000503
17.5	Board II ass'y	12226000000095
17.6	Coaming assembly	12226000000106
19	Bracket of water level sensor	12126000000043
20	Water level switch	17400511000039
21	Water Pump installation bracket ass'y	12226000000115
22	Drain pump	17400802000173
23	Rubber washer	12600401001935
24	Brass nut	15500406000210
24	Brass nut	15500406000190