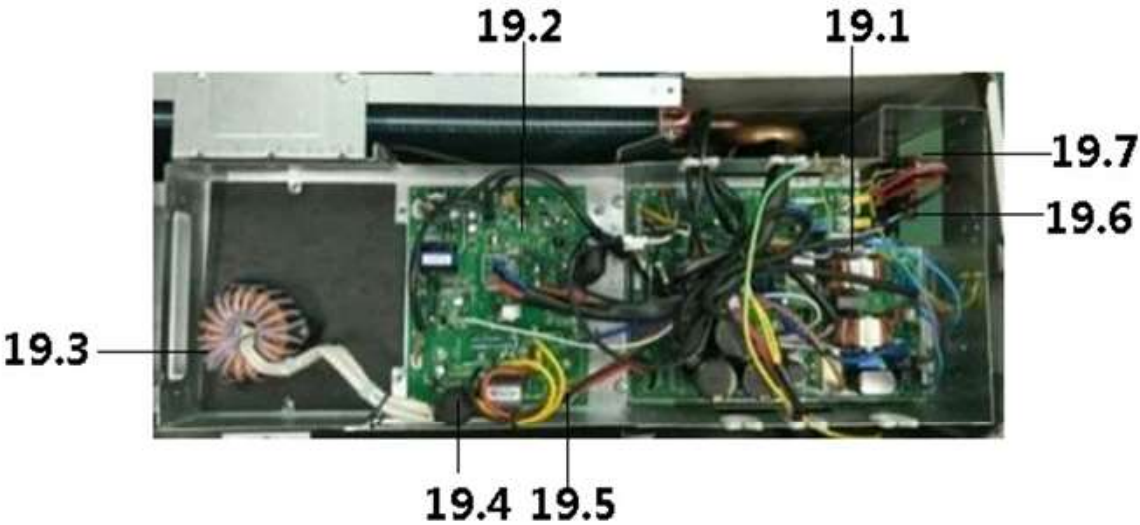
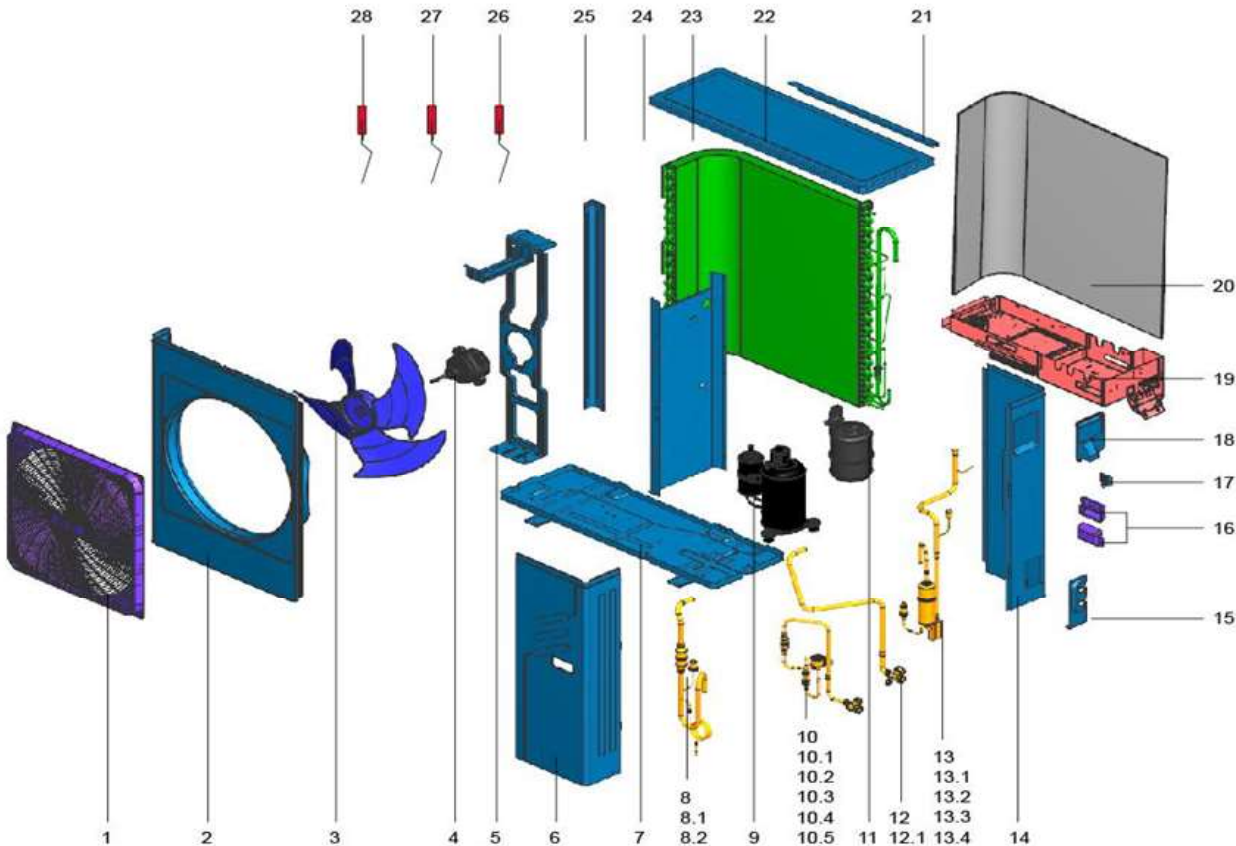


Exploded Views and Parts Listing

Outdoor Unit Model: BCSF030N0A4-DTM090

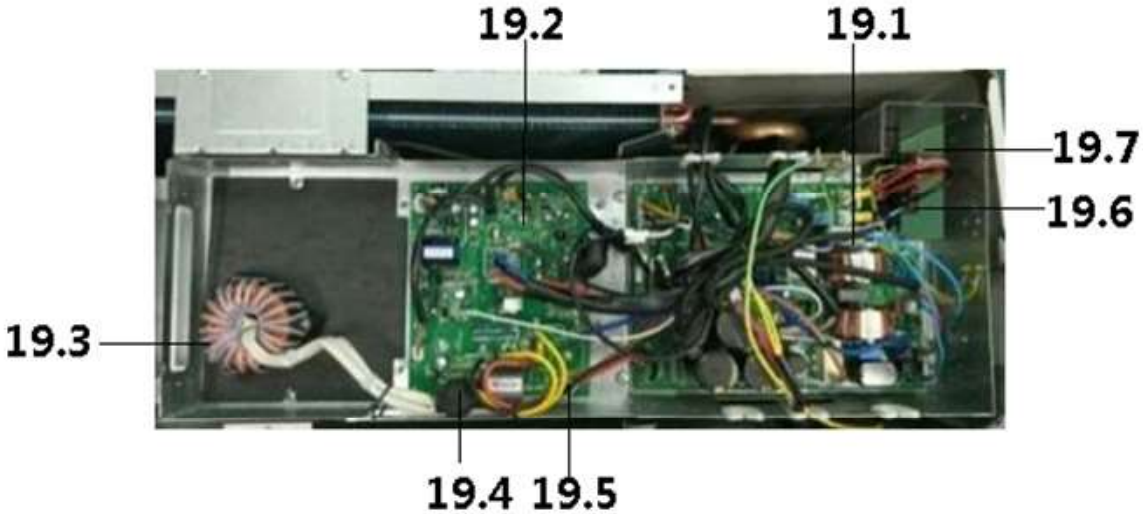
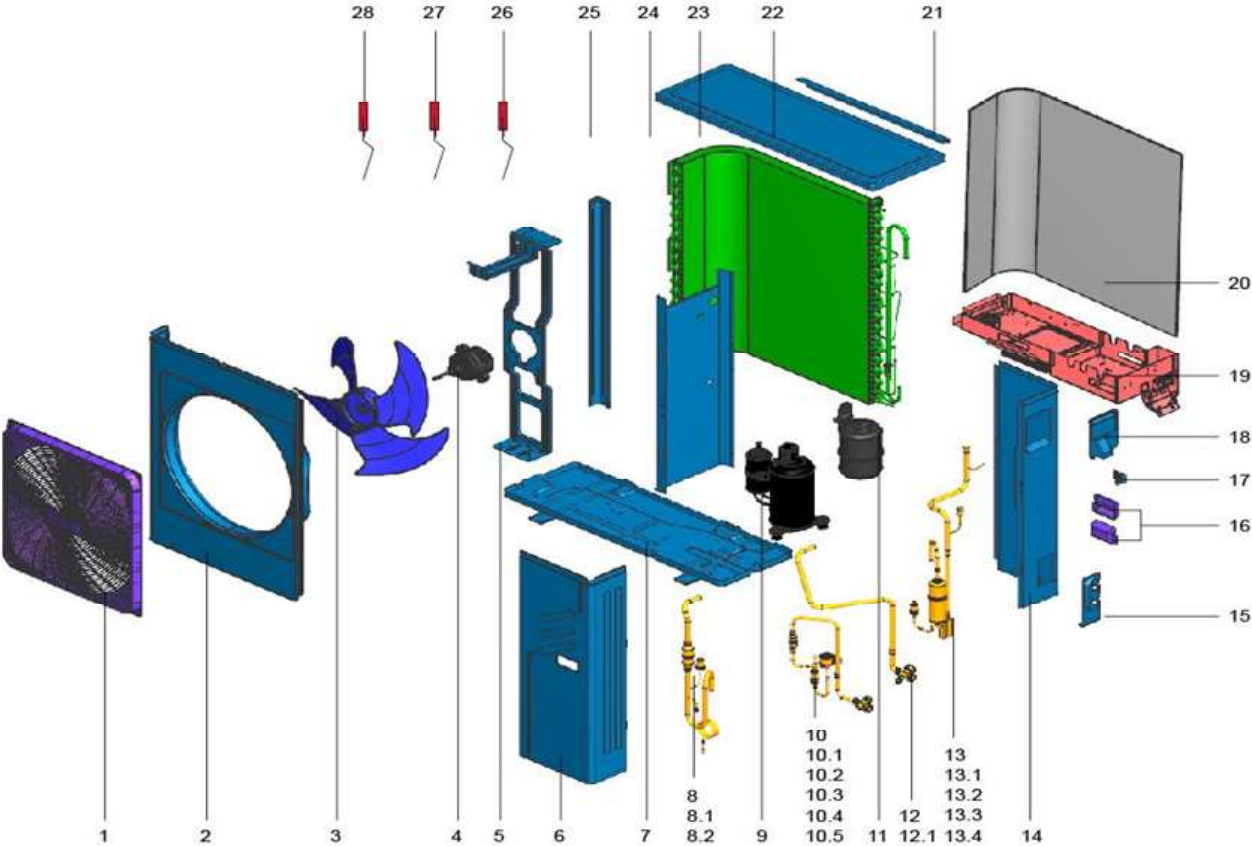


Model: BCSF030N0A4-DTM090

No.	Part Name	Part No.
1	Wind nets assembly	12126000000516
2	Right front panel	12223000005715
3	Axial flow fan	12100105000028
4	Brushless DC Motor	11002015A00716
5	Supporter subassembly of fan motor	12223000005135
6	Front panel assembly	12222200001845
7	Chassis assembly	12223000005113
8	D unit suction pipe assembly	15427000000716
8.1	Filter	15500504000110
8.2	Pressure switch	17400516000149
9	DC Inverter Rotary Compressor	11103020000035
10	High pressure valve assembly	15427000002899
10.1	Electronic expansion valve	15500213000037
10.2	Filter	15500504000022
10.3	Filter	15500504000107
10.4	Liquid valve	15500208000030
10.5	Electronic expansion valve Solenoid	17400302000040
11	Accumulator cylinder	15500508000085
12	Low pressure valve assembly	15427000002903
12.1	Gas valve	15500204000025
13	Oil separator assembly	15427000003322
13.1	Oil separator	15500501000012
13.2	Filter	15500504000046
13.3	Pressure switch	17400516000032
14	Rear right clapboard assembly	12223000003396
15	Valve plate	12222200001937
16	Small handle	12100702000047
17	Temp. sensor fixed card	12100303000462
18	Big handle assembly	12100701000088
19	E-part box assembly	17227000A03571
19.1	Main control board ass'y	17127000A04221
19.2	Inverter module ass'y	17122300001349
19.3	PFC inductance	11201101000007
19.4	Radiator	11203803002436
19.5	Rectifier	11201418000010
19.6	Terminal block, 6P	17400401000180
19.7	Wire joint	17400401000073
20	Rear net	12123000000480
21	Supporting board	12223000005737
22	Top cover assembly	12222200000901
23	B unit condenser assembly	15827000001106
24	Partition board subassembly	12227000000271
25	Left bracket	12222200001847
26	Room Temperature Sensor	11201007002020
27	Discharge Temperature Sensor	11201007002463
28	Temperature Sensor	11201007000318

Exploded Views and Parts Listing

Outdoor Unit Model: BCSF040N0A6-DTM115

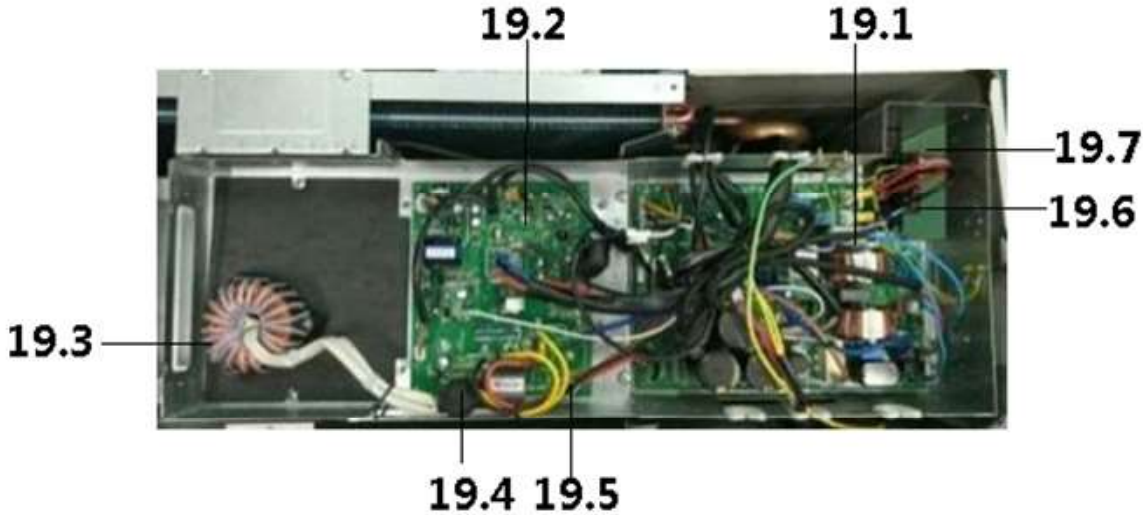
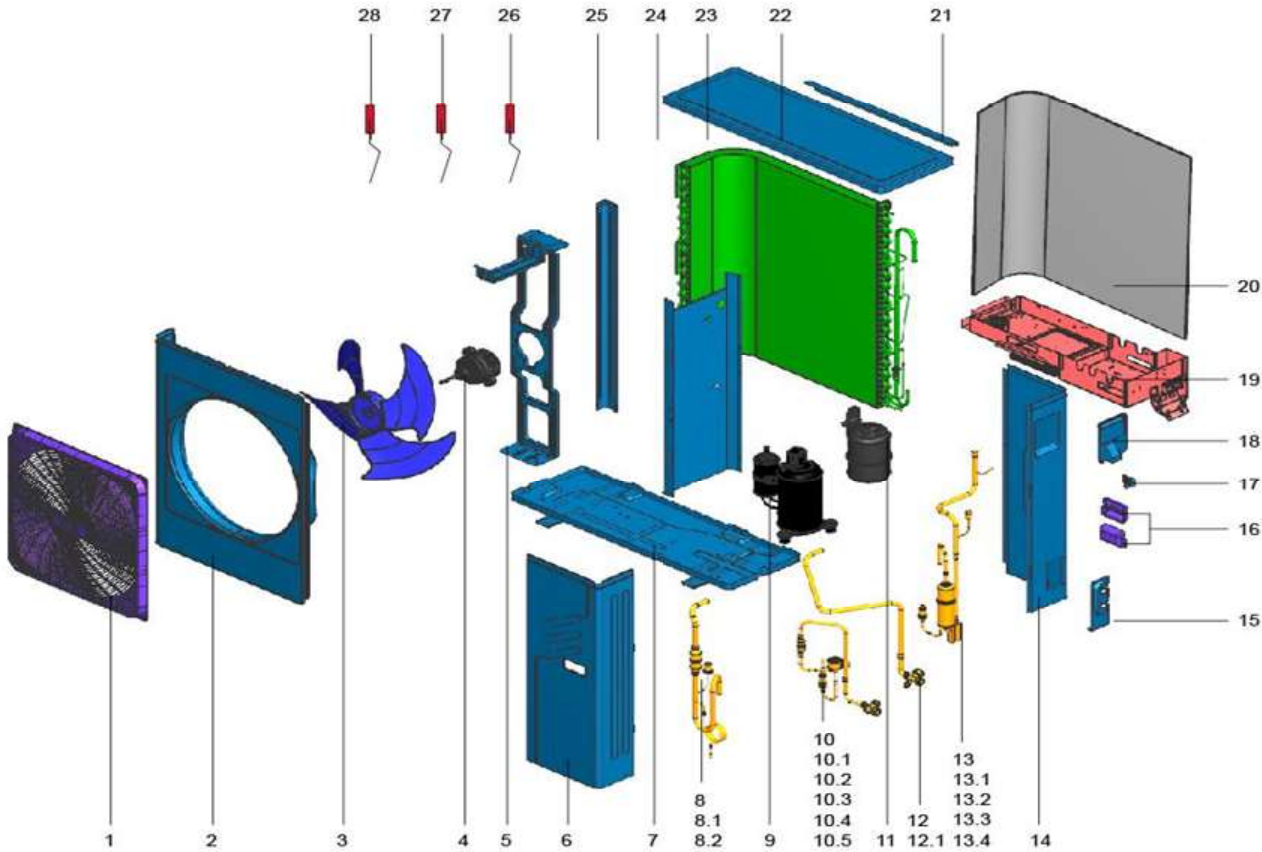


Model: BCSF040N0A6-DTM115

No.	Part Name	Part No.
1	Wind nets assembly	12126000000516
2	Right front panel	12223000005715
3	Axial flow fan	12100105000028
4	Brushless DC Motor	11002015A00716
5	Supporter subassembly of fan motor	12223000005135
6	Front panel assembly	12222200001845
7	Chassis assembly	12223000005113
8	D unit suction pipe assembly	15427000000716
8.1	Filter	15500504000110
8.2	Pressure switch	17400516000149
9	DC Inverter Rotary Compressor	11103020000035
10	High pressure valve assembly	15427000002899
10.1	Electronic expansion valve	15500213000037
10.2	Filter	15500504000022
10.3	Filter	15500504000107
10.4	Liquid valve	15500208000030
10.5	Electronic expansion valve Solenoid	17400302000040
11	Accumulator cylinder	15500508000085
12	Low pressure valve assembly	15427000002903
12.1	Gas valve	15500204000025
13	Oil separator assembly	15427000003322
13.1	Oil separator	15500501000012
13.2	Filter	15500504000046
13.3	Pressure switch	17400516000032
14	Rear right clapboard assembly	12223000003396
15	Valve plate	12222200001937
16	Small handle	12100702000047
17	Temp. sensor fixed card	121003030000462
18	Big handle assembly	12100701000088
19	E-part box assembly	17227000A03571
19.1	Main control board ass'y	17127000A04221
19.2	Inverter module ass'y	17122300001349
19.3	PFC inductance	11201101000007
19.4	Radiator	11203803002436
19.5	Rectifier	11201418000010
19.6	Terminal block, 3P	17400401000180
19.7	Wire joint	17400401000073
20	Rear net	12123000000480
21	Supporting board	12223000005737
22	Top cover assembly	12222200000901
23	B unit condenser assembly	15827000001106
24	Partition board subassembly	12227000000271
25	Left bracket	12222200001847
26	Room Temperature Sensor	11201007002020
27	Discharge Temperature Sensor	11201007002463
28	Temperature Sensor	11201007000318

Exploded Views and Parts Listing

Outdoor Unit Model: BCSF050N0A7-DTM140

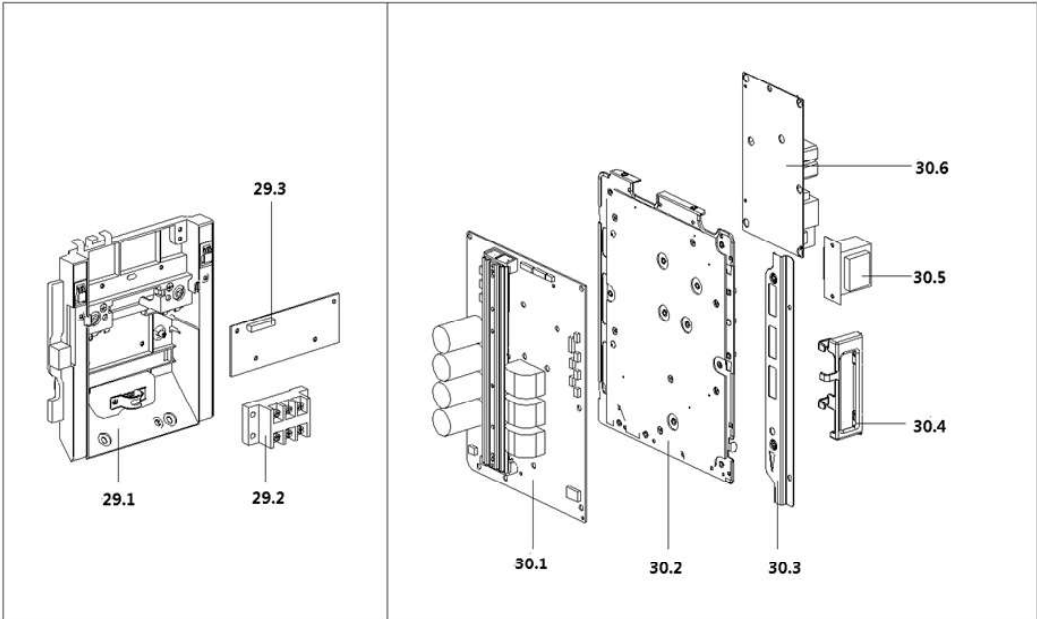
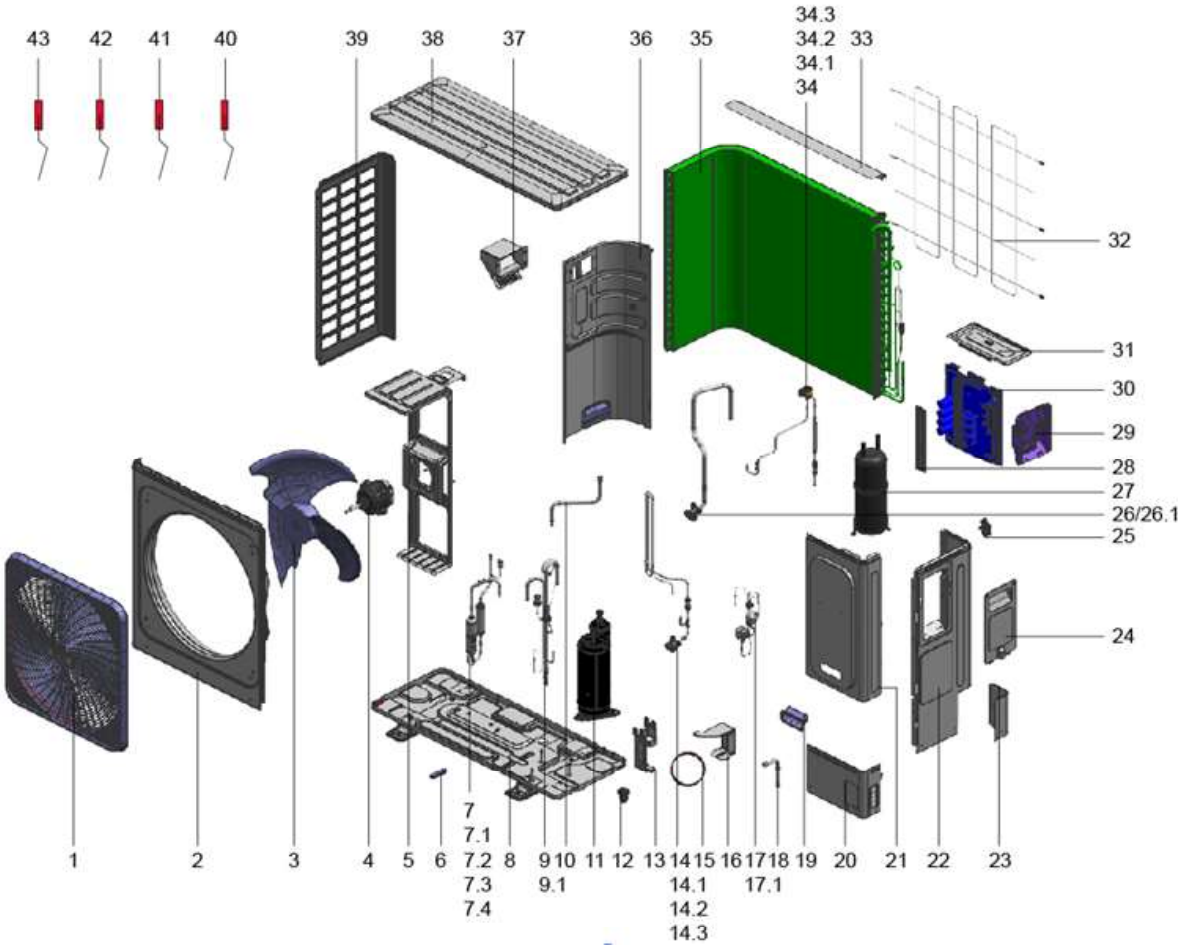


Model: BCSF050N0A7-DTM140

No.	Part Name	Part No.
1	Wind nets assembly	12126000000516
2	Right front panel	122230000005715
3	Axial flow fan	12100105000028
4	Brushless DC Motor	11002015A00716
5	Supporter subassembly of fan motor	122230000005135
6	Front panel assembly	12222200001845
7	Chassis assembly	122230000005113
8	D unit suction pipe assembly	15427000000716
8.1	Filter	15500504000110
8.2	Pressure switch	17400516000149
9	DC Inverter Rotary Compressor	11103020000035
10	High pressure valve assembly	154270000002899
10.1	Electronic expansion valve	15500213000037
10.2	Filter	15500504000022
10.3	Filter	15500504000107
10.4	Liquid valve	15500208000030
10.5	Electronic expansion valve Solenoid	17400302000040
11	Accumulator cylinder	15500508000085
12	Low pressure valve assembly	154270000002903
12.1	Gas valve	15500204000025
13	Oil separator assembly	154270000003322
13.1	Oil separator	15500501000012
13.2	Filter	15500504000046
13.3	Pressure switch	17400516000032
14	Rear right clapboard assembly	122230000003396
15	Valve plate	12222200001937
16	Small handle	12100702000047
17	Temp. sensor fixed card	12100303000462
18	Big handle assembly	12100701000088
19	E-part box assembly	17227000A03571
19.1	Main control board ass'y	17127000A04221
19.2	Inverter module ass'y	17122300001349
19.3	PFC inductance	11201101000007
19.4	Radiator	11203803002436
19.5	Rectifier	11201418000010
19.6	Terminal block, 6P	17400401000180
19.7	Wire joint	17400401000073
20	Rear net	12123000000480
21	Supporting board	122230000005737
22	Top cover assembly	12222200000901
23	B unit condenser assembly	15827000001106
24	Partition board subassembly	12227000000271
25	Left bracket	12222200001847
26	Room Temperature Sensor	11201007002020
27	Discharge Temperature Sensor	11201007002463
28	Temperature Sensor	11201007000318

Exploded Views and Parts Listing

Outdoor Unit Model: BCSF060N0A8-DTM160

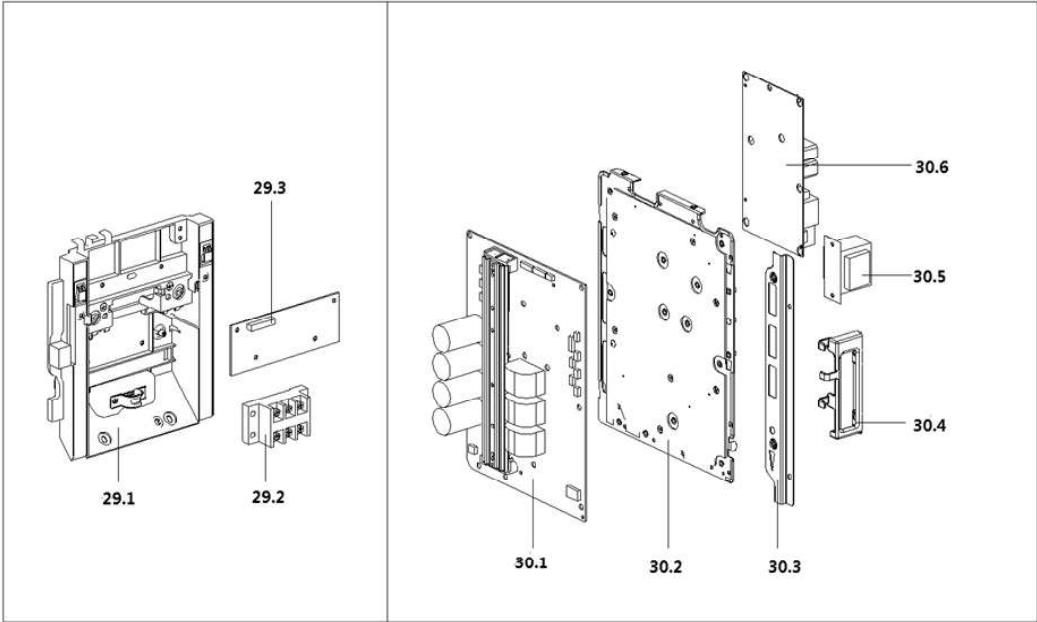
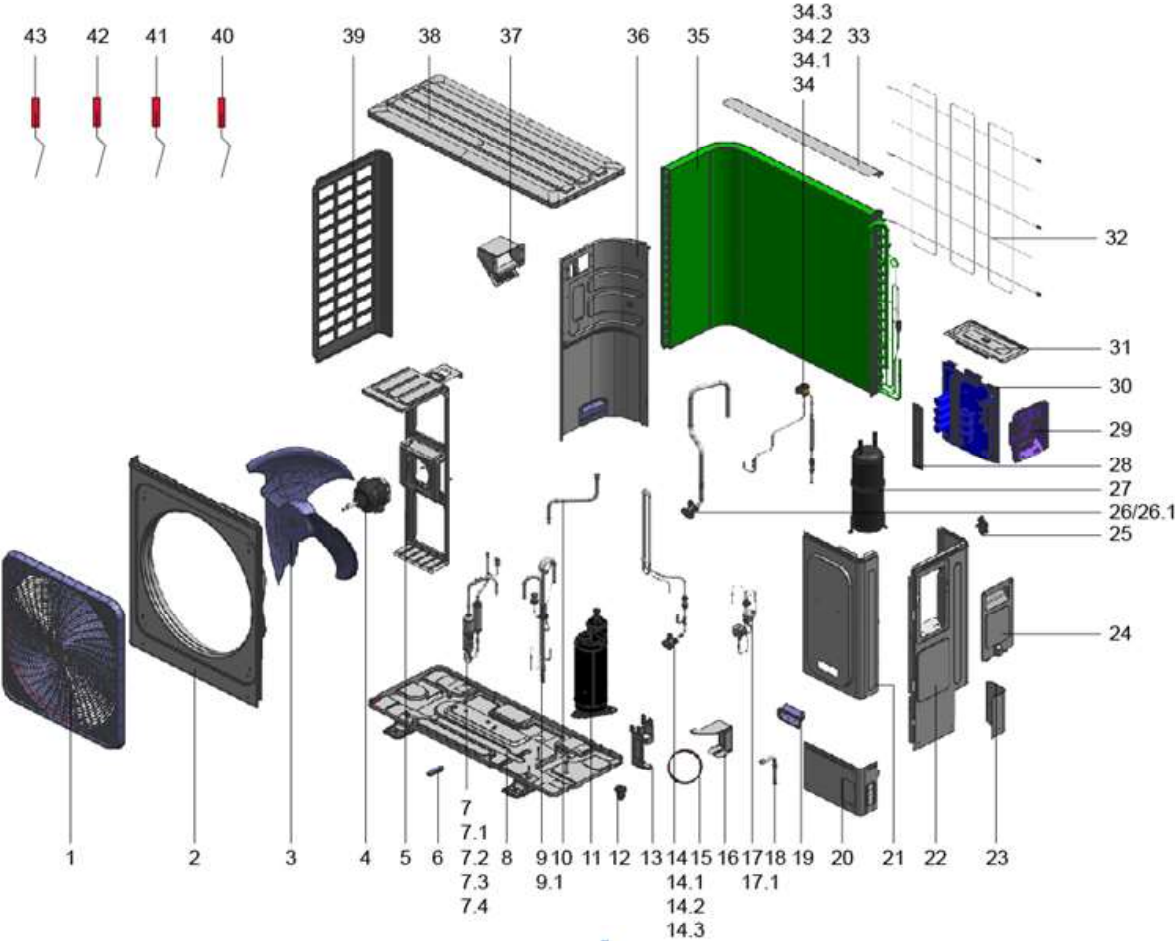


Model: BCSF060N0A8-DTM160

No.	Part Name	Part No.
1	Wind nets assembly	12125300001380
2	Right front panel	12227000007792
3	Axial fan	12100105000641
4	Brushless DC Motor	11002015006321
5	Motor bracket I assembly	12227000007797
6	Chassis waterproof cover	12627000000002
7	Discharge pipe assembly B	15427000002563
7.1	Filter	15500504000046
7.2	Accumulator tank	15500508000135
7.3	Pressure switch	17400516000032
7.4	Oil separator	15500501000824
8	Base assembly	12227000007805
9	D unit suction pipe assembly	15427000002562
9.1	Pressure switch	17400516000022
10	Connecting tube	15127000007120
11	DC Inverter Rotary Compressor	11103020003459
12	Drain hose	12100509000118
13	Valve plate	12227000007793
14	High pressure valve assembly	15427000002521
14.1	Heat sink assembly	15427000002482
14.2	Gas valve	15500204000008
14.3	Filter	15500504000007
15	Crankcase electric heater	17402001000279
16	Support plate	12227000007804
17	Solenoid valve assembly	15427000002519
17.1	One-way solenoid valve	15500205000440
18	Connecting tube	15123000010547
19	Handle	12100701000196
20	Clapboard	12227000007806
21	Front Right Side Plate Assembly	12227000007796
22	Rear-Right Side Plate Assembly	12227000007801
23	Clapboard	12227000007795
24	Big handle assembly	12227000007741
25	Temp sensor clip	12100303000037
26	Low pressure valve assembly	15427000002904
26.1	Low pressure valve	15500204000365
27	Seporator	15500501000825
28	Clamp	12225200005232
29	Wire connecting box assembly	17227000002017
29.1	Wire connecting box assembly	12127000000556
29.2	Wire joint	17400401000073
29.3	Communication modular converter assembly	17111200000502
30	E-part box assembly	17227000A03572
30.1	Outdoor main control board assembly	17127000A04223
30.2	E-part box	12227000007772
30.3	E-part box	12227000007773
30.4	Wire across clasp	12125000000209
30.5	Linear Transformer	11203103001373
30.6	Filter board assembly	171270000005916
31	E-Part box cover	12227000007932
32	Net	12927000000372
33	Rear net clip	12225300006340
34	Expansion valve assembly	15427000002520
34.1	Electronic expansion valve	15500213000140
34.2	Filter	15500504000022
34.3	E-part box assembly	17400302000048
35	B unit condenser assembly	15827000001109
36	Partition board assembly	12227000007807
37	Rainproof cover	12127000000496
38	Top cover assembly	12227000007794
39	Clapboard	12227000007803
40	Pipe Temp. sensor ass'y	11201007000149
41	Room Temp. sensor ass'y	11201007000163
42	Pipe Temperature Sensor	11201007000382
43	Discharge Temperature Sensor	11201007002460

Exploded Views and Parts Listing

Outdoor Unit Model: BCSF070N0A9-DTM190



Model: BCSF070N0A9-DTM190

No.	Part Name	Part No.
1	Wind nets assembly	12125300001380
2	Right front panel	12227000007792
3	Axial fan	12100105000641
4	Brushless DC Motor	11002015006321
5	Motor bracket I assembly	12227000007797
6	Chassis waterproof cover	12627000000002
7	Discharge pipe assembly B	15427000002563
7.1	Filter	15500504000046
7.2	Accumulator tank	15500508000135
7.3	Pressure switch	17400516000032
7.4	Oil separator	15500501000824
8	Base assembly	12227000007805
9	D unit suction pipe assembly	15427000002562
9.1	Pressure switch	17400516000022
10	Connecting tube	15127000007120
11	DC Inverter Rotary Compressor	11103020003459
12	Drain hose	12100509000118
13	Valve plate	12227000007793
14	High pressure valve assembly	15427000002521
14.1	Heat sink assembly	15427000002482
14.2	Gas valve	15500204000008
14.3	Filter	15500504000007
15	Crankcase electric heater	17402001000279
16	Support plate	12227000007804
17	Solenoid valve assembly	15427000002519
17.1	One-way solenoid valve	15500205000440
18	Connecting tube	15123000010547
19	Handle	12100701000196
20	Clapboard	12227000007806
21	Front Right Side Plate Assembly	12227000007796
22	Rear-Right Side Plate Assembly	12227000007801
23	Clapboard	12227000007795
24	Big handle assembly	12227000007741
25	Temp sensor clip	12100303000037
26	Low pressure valve assembly	15427000002904
26.1	Low pressure valve	15500204000365
27	Seporator	15500501000825
28	Clamp	12225200005232
29	Wire connecting box assembly	17227000002017
29.1	Wire connecting box assembly	121270000000556
29.2	Wire joint	17400401000073
29.3	Communication modular converter assembly	17111200000502
30	E-part box assembly	17227000A03572
30.1	Outdoor main control board assembly	17127000A04223
30.2	E-part box	12227000007772
30.3	E-part box	12227000007773
30.4	Wire across clasp	12125000000209
30.5	Linear Transformer	11203103001373
30.6	Filter board assembly	17127000005916
31	E-Part box cover	12227000007932
32	Net	129270000000372
33	Rear net clip	12225300006340
34	Expansion valve assembly	15427000002520
34.1	Electronic expansion valve	15500213000140
34.2	Filter	15500504000022
34.3	E-part box assembly	17400302000048
35	B unit condenser assembly	15827000001109
36	Partition board assembly	12227000007807
37	Rainproof cover	12127000000496
38	Top cover assembly	12227000007794
39	Clapboard	12227000007803
40	Pipe Temp. sensor ass'y	11201007000149
41	Room Temp. sensor ass'y	11201007000163
42	Pipe Temperature Sensor	11201007000382
43	Discharge Temperature Sensor	11201007002460