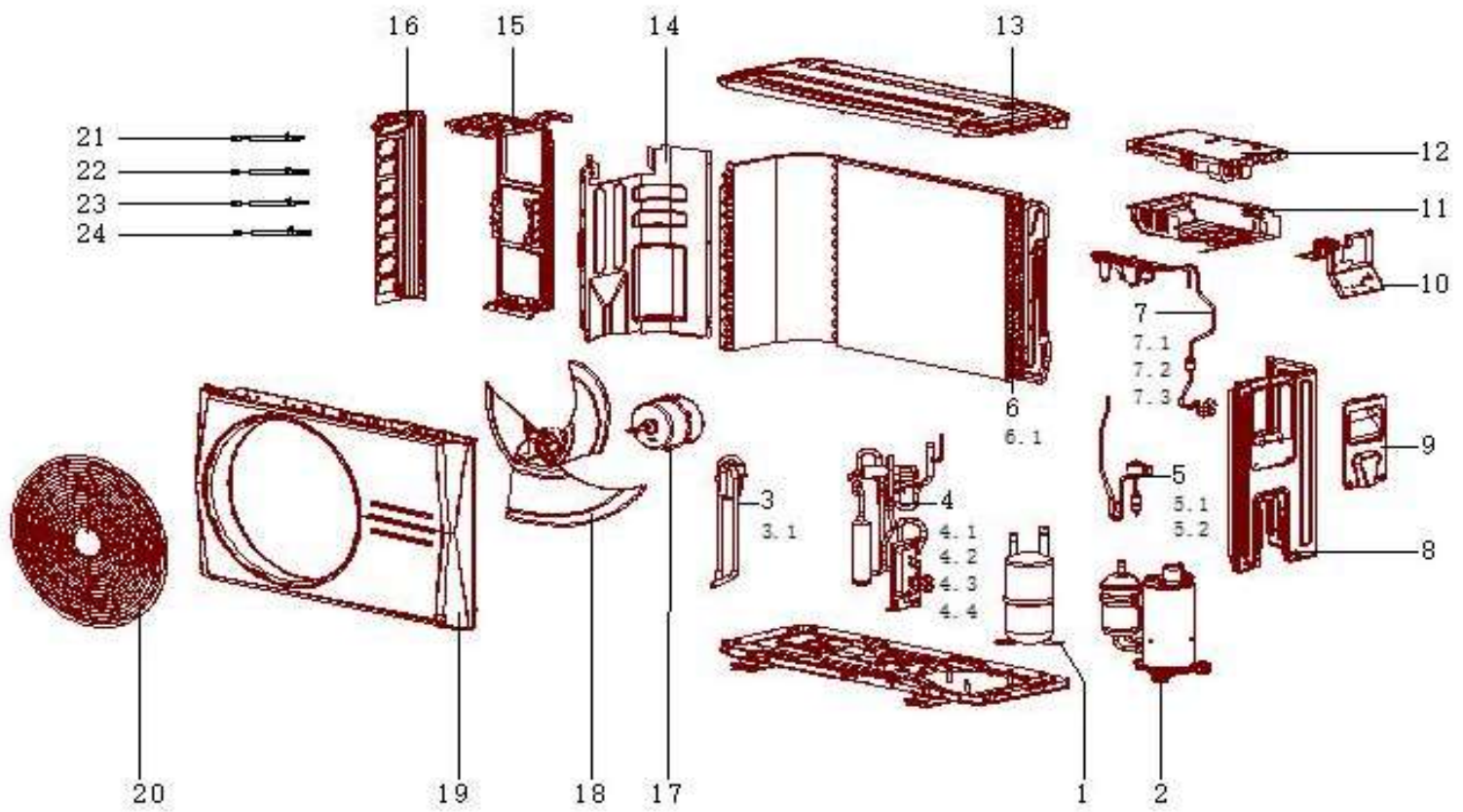


# Exploded Views and Parts Listing

Outdoor Model: BCHB015Q0A3-DTM040

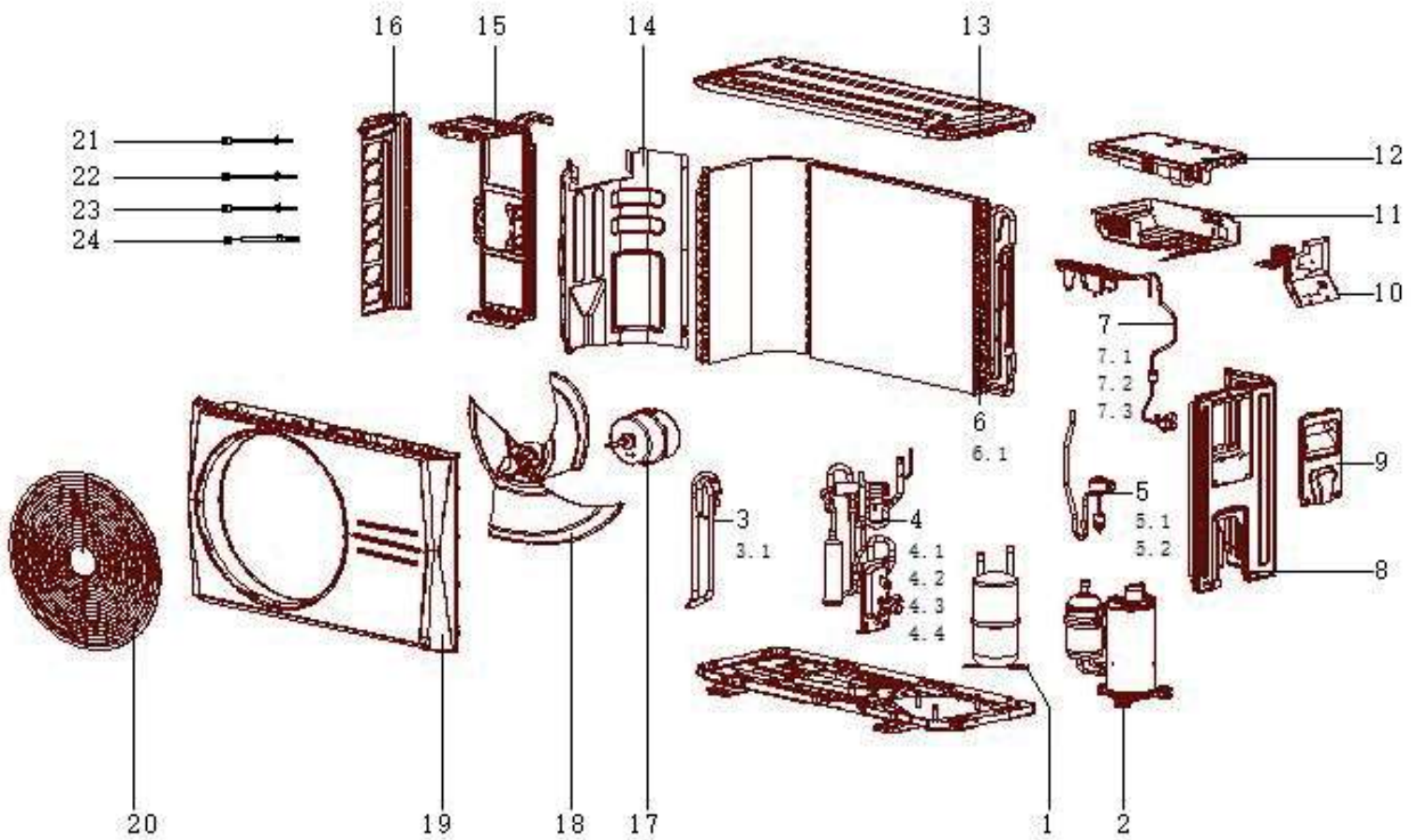


# Model: BCHB015Q0A3-DTM040

1	BCHB015Q0A3-DTM040	Gas-liquid separator	1.0	22027020002147	15500501001809
2	BCHB015Q0A3-DTM040	DC Inverter Rotary Compressor	1.0	22027020002147	11103020006440
3	BCHB015Q0A3-DTM040	Suction pipe assembly	1.0	22027020002147	15427000005875
3.1	BCHB015Q0A3-DTM040	Pressure switch	1.0	22027020002147	17400516000022
4	BCHB015Q0A3-DTM040	Four-way valve assembly	1.0	22027020002147	15427000005873
4.1	BCHB015Q0A3-DTM040	4-way Valve	1.0	22027020002147	15500216000026
4.2	BCHB015Q0A3-DTM040	Gas valve	1.0	22027020002147	15500204000033
4.3	BCHB015Q0A3-DTM040	Muffler	1.0	22027020002147	15500506000324
4.4	BCHB015Q0A3-DTM040	Valve plate	1.0	22027020002147	12223000011649
5	BCHB015Q0A3-DTM040	Expansion valve assembly	1.0	22027020002147	15427000005872
5.1	BCHB015Q0A3-DTM040	Electronic expansion valve suite	1.0	22027020002147	15500213001527
5.2	BCHB015Q0A3-DTM040	Filter	1.0	22027020002147	15500504000129
6	BCHB015Q0A3-DTM040	Condenser part	1.0	22027020002147	15827000002328
6.1	BCHB015Q0A3-DTM040	Condenser	1.0	22027020002147	15827000002329
7	BCHB015Q0A3-DTM040	High pressure valve assembly	1.0	22027020002147	15423000005698
7.1	BCHB015Q0A3-DTM040	Heat sink assembly	1.0	22027020002147	15427000005876
7.2	BCHB015Q0A3-DTM040	Filter	1.0	22027020002147	15500504000109
7.3	BCHB015Q0A3-DTM040	Liquid valve	1.0	22027020002147	15500208000028
8	BCHB015Q0A3-DTM040	Side panel assembly	1.0	22027020002147	12227000016494
9	BCHB015Q0A3-DTM040	Large handle	1.0	22027020002147	12227000011039
10	BCHB015Q0A3-DTM040	E-part box assembly	1.0	22027020002147	17227000A06455
10.1	BCHB015Q0A3-DTM040	Electric installation board	1.0	22027020002147	12227000013677
10.2	BCHB015Q0A3-DTM040	Wire joint	1.0	22027020002147	17400401000188
10.3	BCHB015Q0A3-DTM040	Communication modular converter assembly	1.0	22027020002147	17111200A01241
11	BCHB015Q0A3-DTM040	Electric control box welding assembly	1.0	22027020002147	12227000016493
12	BCHB015Q0A3-DTM040	E-part box assembly	1.0	22027020002147	17127000011796
13	BCHB015Q0A3-DTM040	Top cover assembly	1.0	22027020002147	12227000014851
14	BCHB015Q0A3-DTM040	Partition board assembly	1.0	22027020002147	12227000016498
15	BCHB015Q0A3-DTM040	Supporter subassembly of fan motor	1.0	22027020002147	12223000013508
16	BCHB015Q0A3-DTM040	Column	1.0	22027020002147	12223000014490
17	BCHB015Q0A3-DTM040	Brushless DC Motor	1.0	22027020002147	11002015000325
18	BCHB015Q0A3-DTM040	Axial flow fan	1.0	22027020002147	12100105000881
19	BCHB015Q0A3-DTM040	Front panel assembly	1.0	22027020002147	12223000014492
20	BCHB015Q0A3-DTM040	Wind nets	1.0	22027020002147	12927000002352
21	BCHB015Q0A3-DTM040	Pipe temperature sensor	1.0	22027020002147	11201007000136
22	BCHB015Q0A3-DTM040	Pipe temperature sensor	1.0	22027020002147	11201007000094
23	BCHB015Q0A3-DTM040	Room Temperature Sensor	1.0	22027020002147	11201007000039
24	BCHB015Q0A3-DTM040	Discharge Temperature Sensor	1.0	22027020002147	11201007004043

# Exploded Views and Parts Listing

Outdoor Model: BCHB020Q0A3-DTM060



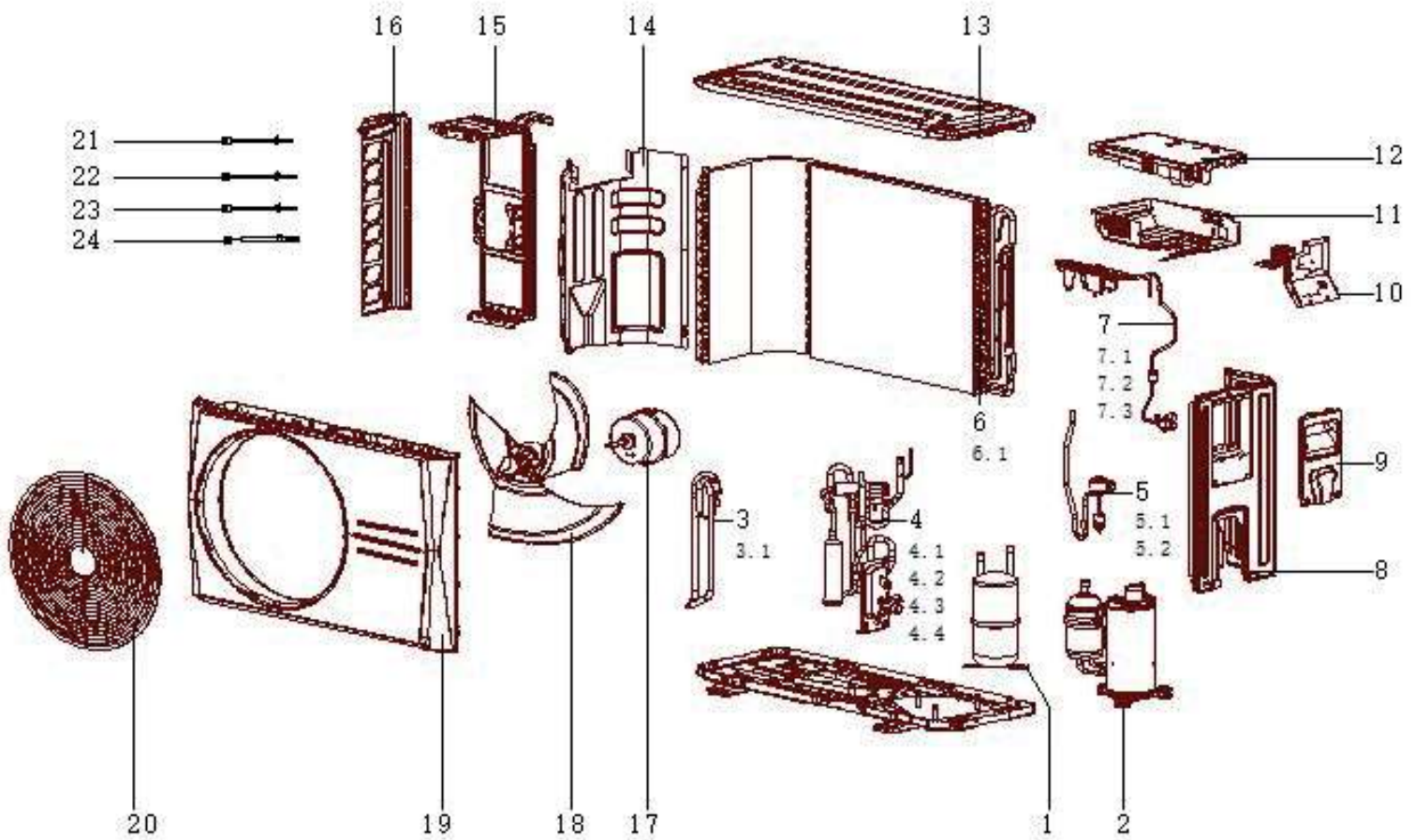


## Model: BCHB020Q0A3-DTM060

1	BCHB020Q0A3-DTM060	Gas-liquid separator	1.0	22027020002146	15500501001809
2	BCHB020Q0A3-DTM060	DC Inverter Rotary Compressor	1.0	22027020002146	11103020006440
3	BCHB020Q0A3-DTM060	Suction pipe assembly	1.0	22027020002146	15427000005875
3.1	BCHB020Q0A3-DTM060	Pressure switch	1.0	22027020002146	17400516000022
4	BCHB020Q0A3-DTM060	Four-way valve assembly	1.0	22027020002146	15427000005873
4.1	BCHB020Q0A3-DTM060	4-way Valve	1.0	22027020002146	15500216000026
4.2	BCHB020Q0A3-DTM060	Gas valve	1.0	22027020002146	15500204000033
4.3	BCHB020Q0A3-DTM060	Muffler	1.0	22027020002146	15500506000324
4.4	BCHB020Q0A3-DTM060	Valve plate	1.0	22027020002146	12223000011649
5	BCHB020Q0A3-DTM060	Expansion valve assembly	1.0	22027020002146	15427000005872
5.1	BCHB020Q0A3-DTM060	Electronic expansion valve suite	1.0	22027020002146	15500213001527
5.2	BCHB020Q0A3-DTM060	Filter	1.0	22027020002146	15500504000129
6	BCHB020Q0A3-DTM060	Condenser part	1.0	22027020002146	15827000002328
6.1	BCHB020Q0A3-DTM060	Condenser	1.0	22027020002146	15827000002329
7	BCHB020Q0A3-DTM060	High pressure valve assembly	1.0	22027020002146	15423000005698
7.1	BCHB020Q0A3-DTM060	Heat sink assembly	1.0	22027020002146	15427000005876
7.2	BCHB020Q0A3-DTM060	Filter	1.0	22027020002146	15500504000109
7.3	BCHB020Q0A3-DTM060	Liquid valve	1.0	22027020002146	15500208000028
8	BCHB020Q0A3-DTM060	Side panel assembly	1.0	22027020002146	12227000016494
9	BCHB020Q0A3-DTM060	Large handle	1.0	22027020002146	12227000011039
10	BCHB020Q0A3-DTM060	E-part box assembly	1.0	22027020002146	17227000A06455
10.1	BCHB020Q0A3-DTM060	Electric installation board	1.0	22027020002146	12227000013677
10.2	BCHB020Q0A3-DTM060	Wire joint	1.0	22027020002146	17400401000188
10.3	BCHB020Q0A3-DTM060	Communication modular converter assembly	1.0	22027020002146	17111200A01241
11	BCHB020Q0A3-DTM060	Electric control box welding assembly	1.0	22027020002146	12227000016493
12	BCHB020Q0A3-DTM060	E-part box assembly	1.0	22027020002146	17127000011796
13	BCHB020Q0A3-DTM060	Top cover assembly	1.0	22027020002146	12227000014851
14	BCHB020Q0A3-DTM060	Partition board assembly	1.0	22027020002146	12227000016498
15	BCHB020Q0A3-DTM060	Supporter subassembly of fan motor	1.0	22027020002146	12223000013508
16	BCHB020Q0A3-DTM060	Column	1.0	22027020002146	12223000014490
17	BCHB020Q0A3-DTM060	Brushless DC Motor	1.0	22027020002146	11002015000325
18	BCHB020Q0A3-DTM060	Axial flow fan	1.0	22027020002146	12100105000881
19	BCHB020Q0A3-DTM060	Front panel assembly	1.0	22027020002146	12223000014492
20	BCHB020Q0A3-DTM060	Wind nets	1.0	22027020002146	12927000002352
21	BCHB020Q0A3-DTM060	Pipe temperature sensor	1.0	22027020002146	11201007000136
22	BCHB020Q0A3-DTM060	Pipe temperature sensor	1.0	22027020002146	11201007000094
23	BCHB020Q0A3-DTM060	Room Temperature Sensor	1.0	22027020002146	11201007000039
24	BCHB020Q0A3-DTM060	Discharge Temperature Sensor	1.0	22027020002146	112010070004043

# Exploded Views and Parts Listing

Outdoor Model: BCHB025Q0A3-DTM070



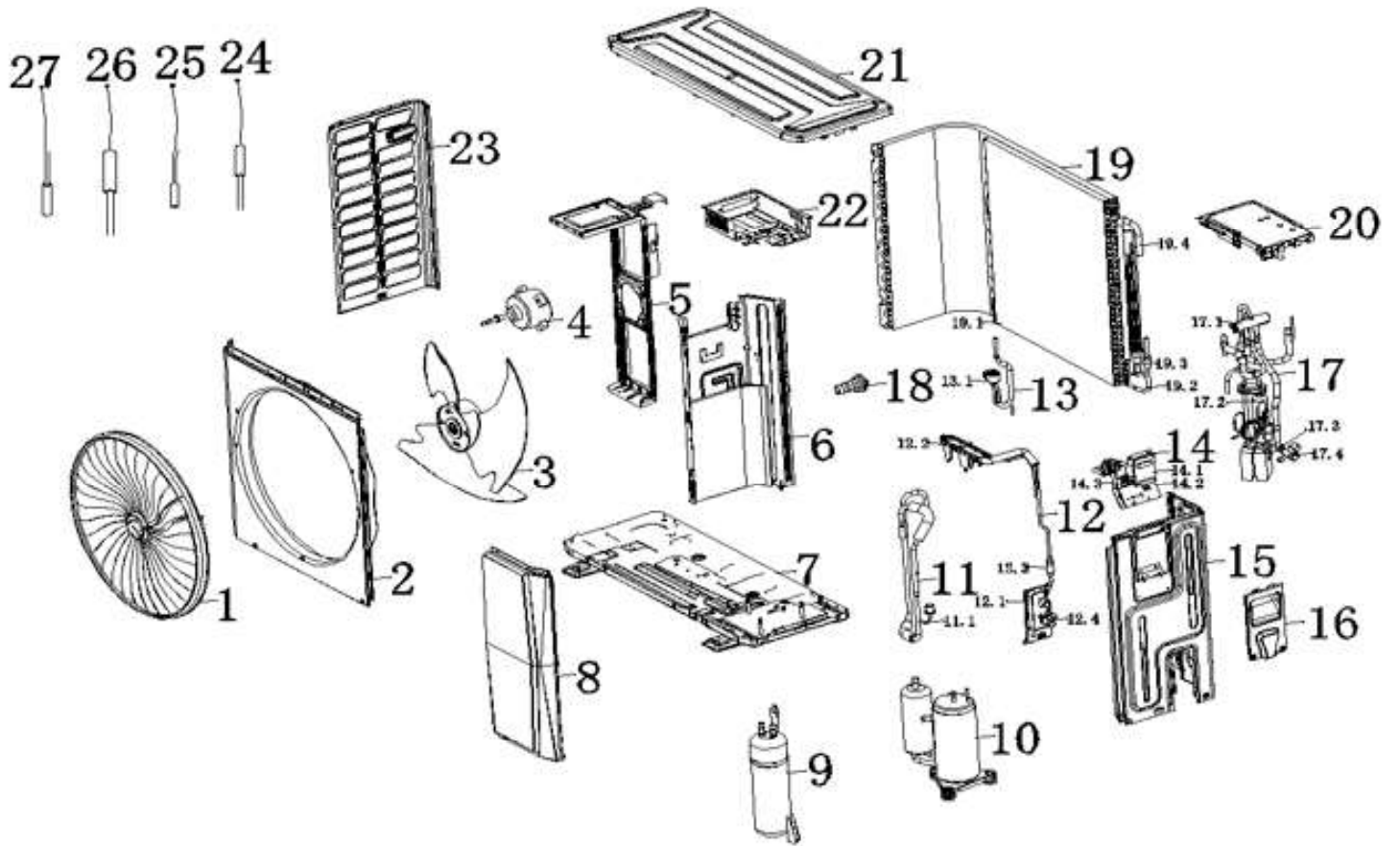
## Model: BCHB025Q0A3-DTM070

1	BCHB025Q0A3-DTM070	Gas-liquid separator	1.0	22027020002145	15500501001809
2	BCHB025Q0A3-DTM070	DC Inverter Rotary Compressor	1.0	22027020002145	11103020006440
3	BCHB025Q0A3-DTM070	Suction pipe assembly	1.0	22027020002145	15427000005875
3.1	BCHB025Q0A3-DTM070	Pressure switch	1.0	22027020002145	17400516000022
4	BCHB025Q0A3-DTM070	Four-way valve assembly	1.0	22027020002145	15427000005873
4.1	BCHB025Q0A3-DTM070	4-way Valve	1.0	22027020002145	15500216000026
4.2	BCHB025Q0A3-DTM070	Gas valve	1.0	22027020002145	15500204000033
4.3	BCHB025Q0A3-DTM070	Muffler	1.0	22027020002145	155005060000324
4.4	BCHB025Q0A3-DTM070	Valve plate	1.0	22027020002145	12223000011649
5	BCHB025Q0A3-DTM070	Expansion valve assembly	1.0	22027020002145	15427000005872
5.1	BCHB025Q0A3-DTM070	Electronic expansion valve suite	1.0	22027020002145	15500213001527
5.2	BCHB025Q0A3-DTM070	Filter	1.0	22027020002145	15500504000129
6	BCHB025Q0A3-DTM070	Condenser part	1.0	22027020002145	15827000002328
6.1	BCHB025Q0A3-DTM070	Condenser	1.0	22027020002145	15827000002329
7	BCHB025Q0A3-DTM070	High pressure valve assembly	1.0	22027020002145	15423000005698
7.1	BCHB025Q0A3-DTM070	Heat sink assembly	1.0	22027020002145	15427000005876
7.2	BCHB025Q0A3-DTM070	Filter	1.0	22027020002145	15500504000109
7.3	BCHB025Q0A3-DTM070	Liquid valve	1.0	22027020002145	15500208000028
8	BCHB025Q0A3-DTM070	Side panel assembly	1.0	22027020002145	12227000016494
9	BCHB025Q0A3-DTM070	Large handle	1.0	22027020002145	12227000011039
10	BCHB025Q0A3-DTM070	E-part box assembly	1.0	22027020002145	17227000A06455
10.1	BCHB025Q0A3-DTM070	Electric installation board	1.0	22027020002145	12227000013677
10.2	BCHB025Q0A3-DTM070	Wire joint	1.0	22027020002145	17400401000188
10.3	BCHB025Q0A3-DTM070	Communication modular converter assembly	1.0	22027020002145	17111200A01241
11	BCHB025Q0A3-DTM070	Electric control box welding assembly	1.0	22027020002145	12227000016493
12	BCHB025Q0A3-DTM070	E-part box assembly	1.0	22027020002145	17127000011796
13	BCHB025Q0A3-DTM070	Top cover assembly	1.0	22027020002145	12227000014851
14	BCHB025Q0A3-DTM070	Partition board assembly	1.0	22027020002145	12227000016498
15	BCHB025Q0A3-DTM070	Supporter subassembly of fan motor	1.0	22027020002145	12223000013508
16	BCHB025Q0A3-DTM070	Column	1.0	22027020002145	12223000014490
17	BCHB025Q0A3-DTM070	Brushless DC Motor	1.0	22027020002145	110020150000325
18	BCHB025Q0A3-DTM070	Axial flow fan	1.0	22027020002145	121001050000881
19	BCHB025Q0A3-DTM070	Front panel assembly	1.0	22027020002145	12223000014492
20	BCHB025Q0A3-DTM070	Wind nets	1.0	22027020002145	12927000002352
21	BCHB025Q0A3-DTM070	Pipe temperature sensor	1.0	22027020002145	11201007000136
22	BCHB025Q0A3-DTM070	Pipe temperature sensor	1.0	22027020002145	11201007000094
23	BCHB025Q0A3-DTM070	Room Temperature Sensor	1.0	22027020002145	11201007000039
24	BCHB025Q0A3-DTM070	Discharge Temperature Sensor	1.0	22027020002145	11201007004043



# Exploded Views and Parts Listing

Outdoor Model: BCHB030Q0A4-DTM090



20

14.3

14

14.2

14.1

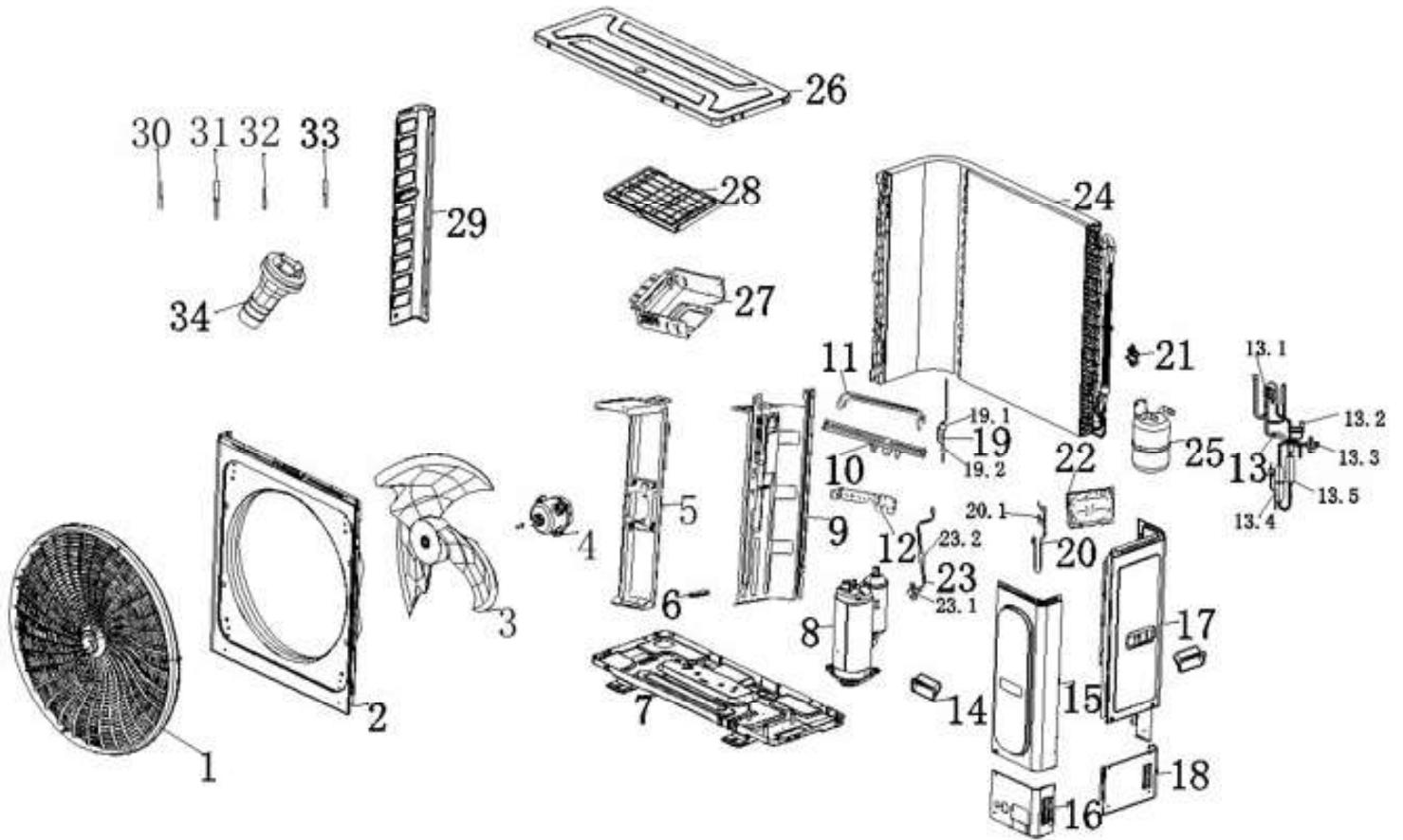
## Model: BCHB030Q0A4-DTM090

1	BCHB030Q0A4-DTM090	Wind nets	1.0	22027020002077	12927000001413
2	BCHB030Q0A4-DTM090	Front panel	1.0	22027020002077	12223000012698
3	BCHB030Q0A4-DTM090	Axial flow fan	1.0	22027020002077	12100105000022
4	BCHB030Q0A4-DTM090	Brushless DC Motor	1.0	22027020002077	11002015000366
5	BCHB030Q0A4-DTM090	Supporter subassembly of fan motor	1.0	22027020002077	12227000016235
6	BCHB030Q0A4-DTM090	Partition board assembly	1.0	22027020002077	12223000012497
7	BCHB030Q0A4-DTM090	Chassis part	1.0	22027020002077	12227000015155
9	BCHB030Q0A4-DTM090	Gas-liquid separator	1.0	22027020002077	15500501001308
10	BCHB030Q0A4-DTM090	DC Inverter Rotary Compressor	1.0	22027020002077	11103020004360
11	BCHB030Q0A4-DTM090	Suction pipe assembly	1.0	22027020002077	15427000005064
11.1	BCHB030Q0A4-DTM090	Pressure switch	1.0	22027020002077	17400516000080
12	BCHB030Q0A4-DTM090	High pressure valve assembly	1.0	22027020002077	15427000A02132
12.1	BCHB030Q0A4-DTM090	Valve plate	1.0	22027020002077	12223000011652
12.2	BCHB030Q0A4-DTM090	Heat sink assembly	1.0	22027020002077	15427000003602
12.3	BCHB030Q0A4-DTM090	Filter	1.0	22027020002077	15500504000007
12.4	BCHB030Q0A4-DTM090	Liquid valve	1.0	22027020002077	15500208000074
13	BCHB030Q0A4-DTM090	Expansion valve assembly	1.0	22027020002077	15427000005009
13.1	BCHB030Q0A4-DTM090	Electronic expansion valve	1.0	22027020002077	15500213001331
14	BCHB030Q0A4-DTM090	E-part box assembly	1.0	22027020002077	17227000A06455
14.1	BCHB030Q0A4-DTM090	Communication modular converter assembly	1.0	22027020002077	17111200A01241
14.2	BCHB030Q0A4-DTM090	Electric installation board	1.0	22027020002077	12227000013677
14.3	BCHB030Q0A4-DTM090	Wire joint	1.0	22027020002077	17400401000188
15	BCHB030Q0A4-DTM090	Side panel assembly	1.0	22027020002077	12223000014493
15	BCHB030Q0A4-DTM090	Side panel assembly	1.0	22027020002077	12223000011664
16	BCHB030Q0A4-DTM090	Big handle	1.0	22027020002077	12227000011039
17	BCHB030Q0A4-DTM090	Four-way valve assembly	1.0	22027020002077	15427000005011
17.1	BCHB030Q0A4-DTM090	4-way Valve	1.0	22027020002077	15500216000026
17.2	BCHB030Q0A4-DTM090	Oil separator	1.0	22027020002077	15500501000012
17.3	BCHB030Q0A4-DTM090	Filter	1.0	22027020002077	15500504000109
17.4	BCHB030Q0A4-DTM090	Gas valve	1.0	22027020002077	15500204000025
19	BCHB030Q0A4-DTM090	Condenser part	1.0	22027020002077	15827000002308
19.1	BCHB030Q0A4-DTM090	Condenser	1.0	22027020002077	15827000002309
19.2	BCHB030Q0A4-DTM090	Condenser input pipe assembly	1.0	22027020002077	15127000009750
19.3	BCHB030Q0A4-DTM090	Condenser input pipe assembly	1.0	22027020002077	15127000009752
19.4	BCHB030Q0A4-DTM090	Condenser output pipe assembly	1.0	22027020002077	15427000005006
20	BCHB030Q0A4-DTM090	E-part box assembly	1.0	22027020002077	17127000A04401
21	BCHB030Q0A4-DTM090	Top cover assembly	1.0	22027020002077	12223000014496
22	BCHB030Q0A4-DTM090	Electric control box welding assembly	1.0	22027020002077	12227000013650
23	BCHB030Q0A4-DTM090	Column	1.0	22027020002077	12223000014488
24	BCHB030Q0A4-DTM090	Pipe temperature sensor	1.0	22027020002077	11201007000136
25	BCHB030Q0A4-DTM090	Pipe temperature sensor	1.0	22027020002077	11201007000094
26	BCHB030Q0A4-DTM090	Room Temperature Sensor	1.0	22027020002077	11201007000039
27	BCHB030Q0A4-DTM090	Discharge Temperature Sensor	1.0	22027020002077	11201007004043



# Exploded Views and Parts Listing

Outdoor Model: BCHB040Q0A6-DTM115

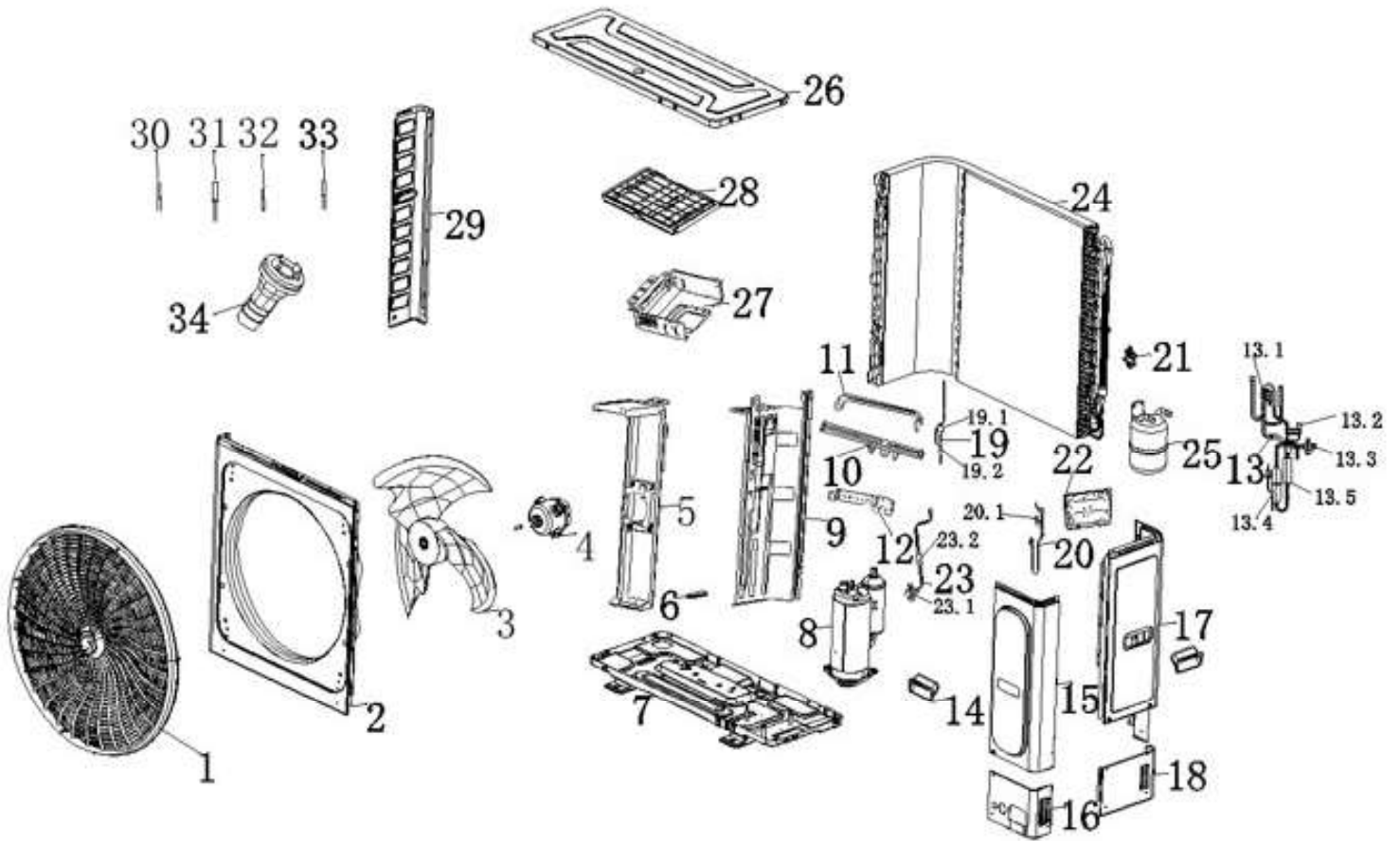


## Model: BCHB040Q0A6-DTM115

1	BCHB040Q0A6-DTM115	Wind nets	1.0	22027020002078	12927000001414
2	BCHB040Q0A6-DTM115	Front panel	1.0	22027020002078	12223000A06149
3	BCHB040Q0A6-DTM115	Axial fan	1.0	22027020002078	12100105001021
4	BCHB040Q0A6-DTM115	Brushless DC Motor	1.0	22027020002078	11002015011748
5	BCHB040Q0A6-DTM115	Motor bracket I assembly	1.0	22027020002078	12227000013656
7	BCHB040Q0A6-DTM115	Base assembly	1.0	22027020002078	12227000013657
8	BCHB040Q0A6-DTM115	DC Inverter Rotary Compressor	1.0	22027020002078	11103020004360
9	BCHB040Q0A6-DTM115	Partition board assembly	1.0	22027020002078	12227000013675
10	BCHB040Q0A6-DTM115	Radiating Pipe Clamp	1.0	22027020002078	12127000001196
11	BCHB040Q0A6-DTM115	The refrigerant cooling tube assembly	1.0	22027020002078	15127000009966
12	BCHB040Q0A6-DTM115	Valve plate	1.0	22027020002078	12227000013950
13	BCHB040Q0A6-DTM115	Four-way valve assembly	1.0	22027020002078	15427000005016
13.1	BCHB040Q0A6-DTM115	Four-way valve kit	1.0	22027020002078	15500216000153
13.2	BCHB040Q0A6-DTM115	Pressure switch	1.0	22027020002078	17400516000032
13.3	BCHB040Q0A6-DTM115	Gas valve	1.0	22027020002078	15500204000037
13.4	BCHB040Q0A6-DTM115	Oil separator	1.0	22027020002078	15500501000824
13.5	BCHB040Q0A6-DTM115	Accumulator tank	1.0	22027020002078	15500508000135
14	BCHB040Q0A6-DTM115	Handle	2.0	22027020002078	12125300002160
15	BCHB040Q0A6-DTM115	Front Right Side Plate Assembly	1.0	22027020002078	12227000010097
16	BCHB040Q0A6-DTM115	Front Tube Side Plate	1.0	22027020002078	12227000010109
17	BCHB040Q0A6-DTM115	Right Rear Side Panel Assembly	1.0	22027020002078	12227000013659
18	BCHB040Q0A6-DTM115	Rear Tube Side Plate	1.0	22027020002078	12227000010099
19	BCHB040Q0A6-DTM115	Expansion valve assembly	1.0	22027020002078	15427000005004
19.1	BCHB040Q0A6-DTM115	Electronic expansion valve suite	1.0	22027020002078	15500213001527
19.2	BCHB040Q0A6-DTM115	Filter	1.0	22027020002078	15500504000022
20	BCHB040Q0A6-DTM115	Suction pipe ass'y	1.0	22027020002078	15427000005012
20.1	BCHB040Q0A6-DTM115	Pressure switch	1.0	22027020002078	17400516000022
21	BCHB040Q0A6-DTM115	Fixed clamp of temperature sensor	3.0	22027020002078	12900102000005
22	BCHB040Q0A6-DTM115	E-part box assembly	1.0	22027020002078	17227000A06450
22.1	BCHB040Q0A6-DTM115	Communication modular converter assembly	1.0	22027020002078	17111200A01241
22.2	BCHB040Q0A6-DTM115	Wire joint	1.0	22027020002078	17400401000073
23	BCHB040Q0A6-DTM115	High pressure valve assembly	1.0	22027020002078	15427000005027
23.1	BCHB040Q0A6-DTM115	Gas valve	1.0	22027020002078	15500204000008
23.2	BCHB040Q0A6-DTM115	Filter	1.0	22027020002078	15500504000007
24	BCHB040Q0A6-DTM115	B unit condenser assembly	1.0	22027020002078	15827000002150
25	BCHB040Q0A6-DTM115	Gas-liquid separator	1.0	22027020002078	15500501001768
26	BCHB040Q0A6-DTM115	Top cover assembly	1.0	22027020002078	12227000012486
27	BCHB040Q0A6-DTM115	Electric control box welding assembly	1.0	22027020002078	12223000013688
28	BCHB040Q0A6-DTM115	E-part box assembly	1.0	22027020002078	17227000A06451
28.1	BCHB040Q0A6-DTM115	Outdoor main control board assembly	1.0	22027020002078	17123000009677
29	BCHB040Q0A6-DTM115	Side panel assembly	1.0	22027020002078	12223000012491
30	BCHB040Q0A6-DTM115	Pipe temperature sensor	1.0	22027020002078	11201007000025
31	BCHB040Q0A6-DTM115	Pipe Temperature Sensor	1.0	22027020002078	11201007000382
32	BCHB040Q0A6-DTM115	Pipe Temp. sensor ass'y	1.0	22027020002078	11201007000328
33	BCHB040Q0A6-DTM115	BCP2BK-G700 Discharge temperature sensor	1.0	22027020002078	11201007004043
34	BCHB040Q0A6-DTM115	Drain hose	1.0	22027020002078	12100509000553

# Exploded Views and Parts Listing

Outdoor Model: BCHB050Q0A7-DTM140



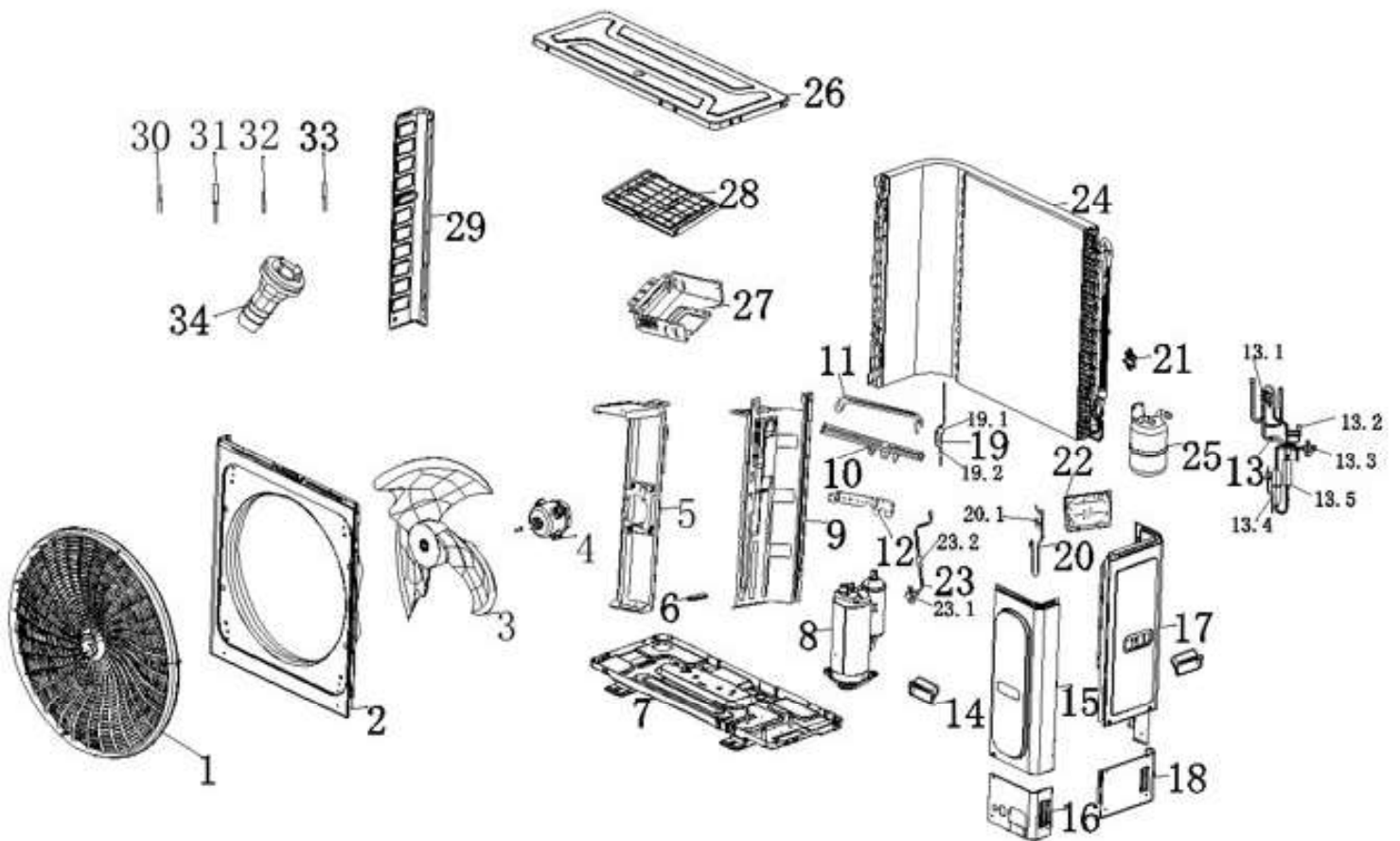


## Model: BCHB050Q0A7-DTM140

1	BCHB050Q0A7-DTM140	Wind nets	1.0	22027020002079	12927000001414
2	BCHB050Q0A7-DTM140	Front panel	1.0	22027020002079	12223000A06149
3	BCHB050Q0A7-DTM140	Axial fan	1.0	22027020002079	12100105001021
4	BCHB050Q0A7-DTM140	Brushless DC Motor	1.0	22027020002079	11002015011748
5	BCHB050Q0A7-DTM140	Motor bracket I assembly	1.0	22027020002079	12227000013656
7	BCHB050Q0A7-DTM140	Base assembly	1.0	22027020002079	12227000013657
8	BCHB050Q0A7-DTM140	DC Inverter Rotary Compressor	1.0	22027020002079	11103020007459
9	BCHB050Q0A7-DTM140	Partition board assembly	1.0	22027020002079	12227000013675
10	BCHB050Q0A7-DTM140	Radiating Pipe Clamp	1.0	22027020002079	12127000001196
11	BCHB050Q0A7-DTM140	The refrigerant cooling tube assembly	1.0	22027020002079	15127000009966
12	BCHB050Q0A7-DTM140	Valve plate	1.0	22027020002079	12227000013950
13	BCHB050Q0A7-DTM140	Four-way valve assembly	1.0	22027020002079	15427000005017
13.1	BCHB050Q0A7-DTM140	Four-way valve kit	1.0	22027020002079	15500216000153
13.2	BCHB050Q0A7-DTM140	Pressure switch	1.0	22027020002079	17400516000032
13.3	BCHB050Q0A7-DTM140	Gas valve	1.0	22027020002079	15500204000037
13.4	BCHB050Q0A7-DTM140	Oil separator	1.0	22027020002079	15500501000824
13.5	BCHB050Q0A7-DTM140	Accumulator tank	1.0	22027020002079	15500508000135
14	BCHB050Q0A7-DTM140	Handle	2.0	22027020002079	12125300002160
15	BCHB050Q0A7-DTM140	Front Right Side Plate Assembly	1.0	22027020002079	12227000010097
16	BCHB050Q0A7-DTM140	Front Tube Side Plate	1.0	22027020002079	12227000010109
17	BCHB050Q0A7-DTM140	Right Rear Side Panel Assembly	1.0	22027020002079	12227000013659
18	BCHB050Q0A7-DTM140	Rear Tube Side Plate	1.0	22027020002079	12227000010099
19	BCHB050Q0A7-DTM140	Expansion valve assembly	1.0	22027020002079	15427000005014
19.1	BCHB050Q0A7-DTM140	Electronic expansion valve suite	1.0	22027020002079	15500213001809
19.2	BCHB050Q0A7-DTM140	Filter	1.0	22027020002079	15500504000022
20	BCHB050Q0A7-DTM140	Suction pipe ass'y	1.0	22027020002079	15427000005007
20.1	BCHB050Q0A7-DTM140	Pressure switch	1.0	22027020002079	17400516000022
21	BCHB050Q0A7-DTM140	Fixed clamp of temperature sensor	3.0	22027020002079	12900102000005
22	BCHB050Q0A7-DTM140	E-part box assembly	1.0	22027020002079	17227000A06450
22.1	BCHB050Q0A7-DTM140	Communication modular converter assembly	1.0	22027020002079	17111200A01241
22.2	BCHB050Q0A7-DTM140	Wire joint	1.0	22027020002079	17400401000073
23	BCHB050Q0A7-DTM140	High pressure valve assembly	1.0	22027020002079	15427000005027
23.1	BCHB050Q0A7-DTM140	Gas valve	1.0	22027020002079	15500204000008
23.2	BCHB050Q0A7-DTM140	Filter	1.0	22027020002079	15500504000007
24	BCHB050Q0A7-DTM140	B unit condenser assembly	1.0	22027020002079	15827000002152
25	BCHB050Q0A7-DTM140	Gas-liquid separator	1.0	22027020002079	15500501001269
26	BCHB050Q0A7-DTM140	Top cover assembly	1.0	22027020002079	12227000012486
27	BCHB050Q0A7-DTM140	Electric control box welding assembly	1.0	22027020002079	12223000013688
28	BCHB050Q0A7-DTM140	E-part box assembly	1.0	22027020002079	17227000A06453
28.1	BCHB050Q0A7-DTM140	Outdoor main control board assembly	1.0	22027020002079	17122300006221
29	BCHB050Q0A7-DTM140	Side panel assembly	1.0	22027020002079	12223000012491
30	BCHB050Q0A7-DTM140	Pipe temperature sensor	1.0	22027020002079	11201007000025
31	BCHB050Q0A7-DTM140	Pipe Temperature Sensor	1.0	22027020002079	11201007000382
32	BCHB050Q0A7-DTM140	Pipe Temp. sensor ass'y	1.0	22027020002079	11201007000328
33	BCHB050Q0A7-DTM140	BCP2BK-G700 Discharge temperature sensor	1.0	22027020002079	11201007004043
34	BCHB050Q0A7-DTM140	Drain hose	1.0	22027020002079	12100509000553

# Exploded Views and Parts Listing

Outdoor Model: BCHB060Q0A8-DTM160



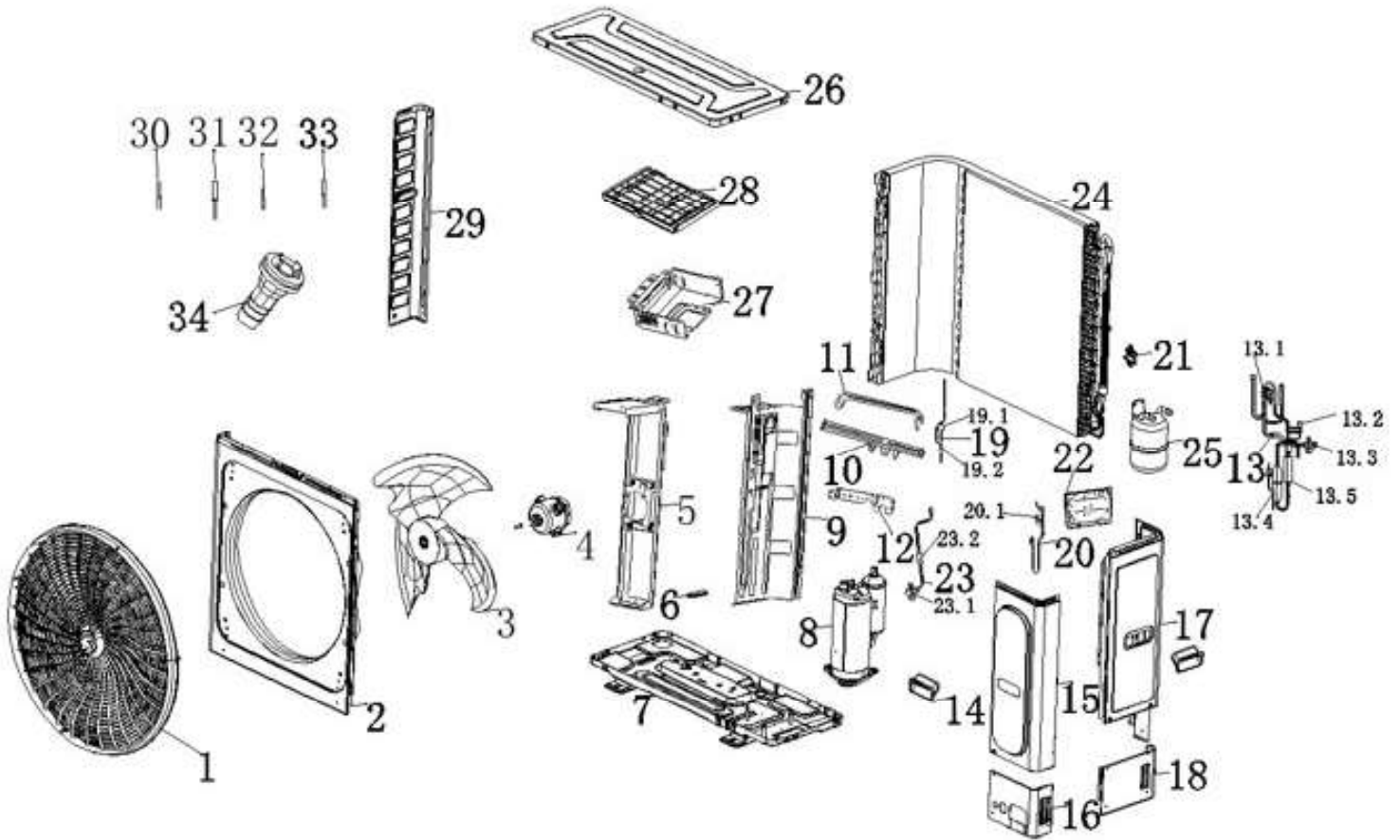
## Model: BCHB060Q0A8-DTM160

1	BCHB060Q0A8-DTM160	Wind nets	1.0	22027020002080	12927000001414
2	BCHB060Q0A8-DTM160	Front panel	1.0	22027020002080	12223000A06149
3	BCHB060Q0A8-DTM160	Axial fan	1.0	22027020002080	12100105001021
4	BCHB060Q0A8-DTM160	Brushless DC Motor	1.0	22027020002080	11002015011748
5	BCHB060Q0A8-DTM160	Supporter subassembly of fan motor	1.0	22027020002080	12227000013656
7	BCHB060Q0A8-DTM160	Chassis part	1.0	22027020002080	12227000013667
8	BCHB060Q0A8-DTM160	DC Inverter Rotary Compressor	1.0	22027020002080	11103020004819
9	BCHB060Q0A8-DTM160	Partition board assembly	1.0	22027020002080	12227000014070
10	BCHB060Q0A8-DTM160	Radiating Pipe Clamp	1.0	22027020002080	12127000001196
11	BCHB060Q0A8-DTM160	The refrigerant cooling tube assembly	1.0	22027020002080	15127000009966
12	BCHB060Q0A8-DTM160	Valve plate	1.0	22027020002080	12227000013950
13	BCHB060Q0A8-DTM160	Four-way valve assembly	1.0	22027020002080	15427000005013
13.1	BCHB060Q0A8-DTM160	4-way Valve	1.0	22027020002080	15500216001883
13.2	BCHB060Q0A8-DTM160	Pressure controller	1.0	22027020002080	17400516000032
13.3	BCHB060Q0A8-DTM160	Gas valve	1.0	22027020002080	15500204000037
13.4	BCHB060Q0A8-DTM160	Oil separator	1.0	22027020002080	15500501000824
13.5	BCHB060Q0A8-DTM160	Strainer	1.0	22027020002080	15500504000109
14	BCHB060Q0A8-DTM160	Handle	2.0	22027020002080	12125300002160
15	BCHB060Q0A8-DTM160	Front Right Side Plate Assembly	1.0	22027020002080	12227000010097
16	BCHB060Q0A8-DTM160	Front tube side plate	1.0	22027020002080	12227000010109
17	BCHB060Q0A8-DTM160	right-rear side plate	1.0	22027020002080	12227000013659
18	BCHB060Q0A8-DTM160	Expansion valve assembly	1.0	22027020002080	12227000010099
19	BCHB060Q0A8-DTM160	Electronic expansion valve ass'y	1.0	22027020002080	15427000005018
19.1	BCHB060Q0A8-DTM160	Electronic expansion valve suite	1.0	22027020002080	15500213001605
19.2	BCHB060Q0A8-DTM160	Strainer	1.0	22027020002080	15500504000022
20	BCHB060Q0A8-DTM160	Suction pipe assembly	1.0	22027020002080	15427000005023
20.1	BCHB060Q0A8-DTM160	Pressure switch	1.0	22027020002080	17400516000022
21	BCHB060Q0A8-DTM160	Sensor clamp	1.0	22027020002080	12100303001043
22	BCHB060Q0A8-DTM160	E-part box ass'y	1.0	22027020002080	17227000A06454
22.1	BCHB060Q0A8-DTM160	Communication modular converter assembly	1.0	22027020002080	17111200A01241
22.2	BCHB060Q0A8-DTM160	Wire joint	1.0	22027020002080	17400401000073
23	BCHB060Q0A8-DTM160	High pressure valve Ass'y	1.0	22027020002080	15427000005010
23.1	BCHB060Q0A8-DTM160	Low pressure valve	1.0	22027020002080	15500204000008
23.2	BCHB060Q0A8-DTM160	Strainer	1.0	22027020002080	15500504000007
24	BCHB060Q0A8-DTM160	Condenser	1.0	22027020002080	15827000002154
25	BCHB060Q0A8-DTM160	Separator	1.0	22027020002080	15500501002048
26	BCHB060Q0A8-DTM160	Top cover assembly	1.0	22027020002080	12227000012486
27	BCHB060Q0A8-DTM160	E-part box	1.0	22027020002080	12223000013688
28	BCHB060Q0A8-DTM160	E-part box ass'y	1.0	22027020002080	17227000A06452
28.1	BCHB060Q0A8-DTM160	Outdoor main control board ass'y	1.0	22027020002080	17122300006223
29	BCHB060Q0A8-DTM160	side plate	1.0	22027020002080	12223000012491
30	BCHB060Q0A8-DTM160	Pipe Temperature Sensor	1.0	22027020002080	11201007000328
31	BCHB060Q0A8-DTM160	Pipe Temperature Sensor	1.0	22027020002080	11201007000382
32	BCHB060Q0A8-DTM160	Room Temperature Sensor	1.0	22027020002080	11201007000025
33	BCHB060Q0A8-DTM160	Discharge Temperature Sensor	1.0	22027020002080	11201007004043
34	BCHB060Q0A8-DTM160	Support plate	1.0	22027020002080	12227000013652
35	BCHB060Q0A8-DTM160	Drain hose	1.0	22027020002080	12100509000553



# Exploded Views and Parts Listing

Outdoor Model: BCHB070Q0A9-DTM190

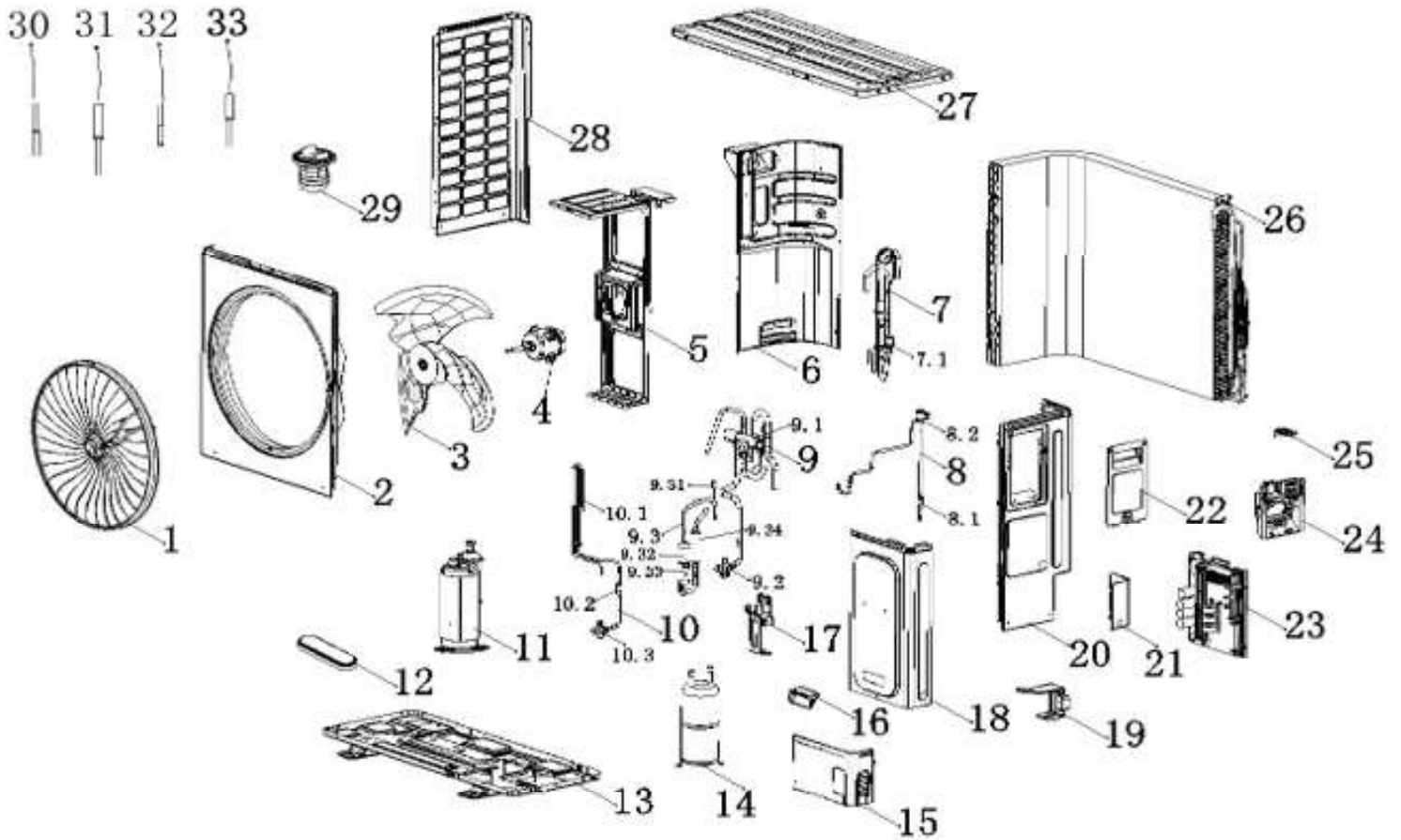


## Model: BCHB070Q0A9-DTM190

1	BCHB070Q0A9-DTM190	Wind nets	1.0	22027020002081	12927000001414
2	BCHB070Q0A9-DTM190	Front panel	1.0	22027020002081	12223000A06149
3	BCHB070Q0A9-DTM190	Axial fan	1.0	22027020002081	12100105001021
4	BCHB070Q0A9-DTM190	Brushless DC Motor	1.0	22027020002081	11002015011748
5	BCHB070Q0A9-DTM190	Supporter subassembly of fan motor	1.0	22027020002081	12227000013656
7	BCHB070Q0A9-DTM190	Chassis part	1.0	22027020002081	12227000013667
8	BCHB070Q0A9-DTM190	DC Inverter Rotary Compressor	1.0	22027020002081	11103020004819
9	BCHB070Q0A9-DTM190	Partition board assembly	1.0	22027020002081	12227000014070
10	BCHB070Q0A9-DTM190	Radiating Pipe Clamp	1.0	22027020002081	12127000001196
11	BCHB070Q0A9-DTM190	The refrigerant cooling tube assembly	1.0	22027020002081	15127000009966
12	BCHB070Q0A9-DTM190	Valve plate	1.0	22027020002081	12227000013950
13	BCHB070Q0A9-DTM190	Four-way valve assembly	1.0	22027020002081	15427000005008
13.1	BCHB070Q0A9-DTM190	4-way Valve	1.0	22027020002081	15500216001041
13.2	BCHB070Q0A9-DTM190	Pressure controller	1.0	22027020002081	17400516000032
13.3	BCHB070Q0A9-DTM190	Gas valve	1.0	22027020002081	15500204000037
13.4	BCHB070Q0A9-DTM190	Oil separator	1.0	22027020002081	15500501000824
13.5	BCHB070Q0A9-DTM190	Strainer	1.0	22027020002081	15500504000109
14	BCHB070Q0A9-DTM190	Handle	2.0	22027020002081	12125300002160
15	BCHB070Q0A9-DTM190	Front Right Side Plate Assembly	1.0	22027020002081	12227000010097
16	BCHB070Q0A9-DTM190	Front tube side plate	1.0	22027020002081	12227000010109
17	BCHB070Q0A9-DTM190	right-rear side plate	1.0	22027020002081	12227000013659
18	BCHB070Q0A9-DTM190	Expansion valve assembly	1.0	22027020002081	12227000010099
19	BCHB070Q0A9-DTM190	Electronic expansion valve ass'y	1.0	22027020002081	15427000005018
19.1	BCHB070Q0A9-DTM190	Electronic expansion valve suite	1.0	22027020002081	15500213001605
19.2	BCHB070Q0A9-DTM190	Strainer	1.0	22027020002081	15500504000022
20	BCHB070Q0A9-DTM190	Suction pipe assembly	1.0	22027020002081	15427000005023
20.1	BCHB070Q0A9-DTM190	Pressure switch	1.0	22027020002081	17400516000022
21	BCHB070Q0A9-DTM190	Sensor clamp	1.0	22027020002081	12100303001043
22	BCHB070Q0A9-DTM190	E-part box ass'y	1.0	22027020002081	17227000A06454
22.1	BCHB070Q0A9-DTM190	Communication modular converter assembly	1.0	22027020002081	17111200A01241
22.2	BCHB070Q0A9-DTM190	Wire joint	1.0	22027020002081	17400401000073
23	BCHB070Q0A9-DTM190	High pressure valve Ass'y	1.0	22027020002081	15427000005010
23.1	BCHB070Q0A9-DTM190	Low pressure valve	1.0	22027020002081	15500204000008
23.2	BCHB070Q0A9-DTM190	Strainer	1.0	22027020002081	15500504000007
24	BCHB070Q0A9-DTM190	Condenser	1.0	22027020002081	15827000002148
25	BCHB070Q0A9-DTM190	Separator	1.0	22027020002081	15500501002048
26	BCHB070Q0A9-DTM190	Top cover assembly	1.0	22027020002081	12227000012486
27	BCHB070Q0A9-DTM190	E-part box	1.0	22027020002081	12223000013688
28	BCHB070Q0A9-DTM190	E-part box ass'y	1.0	22027020002081	17227000A06452
28.1	BCHB070Q0A9-DTM190	Outdoor main control board ass'y	1.0	22027020002081	17122300006223
29	BCHB070Q0A9-DTM190	side plate	1.0	22027020002081	12223000012491
30	BCHB070Q0A9-DTM190	Pipe Temperature Sensor	1.0	22027020002081	11201007000328
31	BCHB070Q0A9-DTM190	Pipe Temperature Sensor	1.0	22027020002081	11201007000382
32	BCHB070Q0A9-DTM190	Room Temperature Sensor	1.0	22027020002081	11201007000025
33	BCHB070Q0A9-DTM190	Discharge Temperature Sensor	1.0	22027020002081	11201007004043
34	BCHB070Q0A9-DTM190	Support plate	1.0	22027020002081	12227000013652
35	BCHB070Q0A9-DTM190	Drain hose	1.0	22027020002081	12100509000553

# Exploded Views and Parts Listing

Outdoor Model: BCHB080Q0A9-DTM200





## Model: BCHB080Q0A9-DTM200

1	BCHB080Q0A9-DTM200	Wind nets	1.0	22027020002105	12927000001414
2	BCHB080Q0A9-DTM200	Front panel	1.0	22027020002105	12227000009453
3	BCHB080Q0A9-DTM200	Axial fan	1.0	22027020002105	12100105001021
4	BCHB080Q0A9-DTM200	Brushless DC Motor	1.0	22027020002105	11002015011748
5	BCHB080Q0A9-DTM200	Supporter subassembly of fan motor	1.0	22027020002105	12227000012449
6	BCHB080Q0A9-DTM200	Partition board assembly	1.0	22027020002105	12227000015030
7	BCHB080Q0A9-DTM200	Suction pipe assembly	1.0	22027020002105	15427000005364
7.1	BCHB080Q0A9-DTM200	Pressure switch	1.0	22027020002105	17400516000022
8	BCHB080Q0A9-DTM200	Electronic expansion valve ass'y	1.0	22027020002105	15427000005204
8.1	BCHB080Q0A9-DTM200	Strainer	1.0	22027020002105	15500504000101
8.2	BCHB080Q0A9-DTM200	Electronic expansion valve suite	1.0	22027020002105	15500213000915
9	BCHB080Q0A9-DTM200	Four-way valve assembly	1.0	22027020002105	15427000005365
9.1	BCHB080Q0A9-DTM200	4-way Valve	1.0	22027020002105	15500216001041
9.2	BCHB080Q0A9-DTM200	Gas valve	1.0	22027020002105	15500204000365
9.3	BCHB080Q0A9-DTM200	Air discharge pipe assembly	1.0	22027020002105	15427000004405
9.3.1	BCHB080Q0A9-DTM200	Pressure switch	1.0	22027020002105	17400516000032
9.3.2	BCHB080Q0A9-DTM200	Oil separator	1.0	22027020002105	15500501000824
9.3.3	BCHB080Q0A9-DTM200	Strainer	1.0	22027020002105	15500504000046
9.3.4	BCHB080Q0A9-DTM200	Accumulator tank	1.0	22027020002105	15500508000135
10	BCHB080Q0A9-DTM200	High pressure valve Ass'y	1.0	22027020002105	15427000002502
10.1	BCHB080Q0A9-DTM200	Heat sink assembly	1.0	22027020002105	15427000002482
10.2	BCHB080Q0A9-DTM200	Strainer	1.0	22027020002105	15500504000007
10.3	BCHB080Q0A9-DTM200	Gas valve	1.0	22027020002105	15500204000008
11	BCHB080Q0A9-DTM200	DC Inverter Rotary Compressor	1.0	22027020002105	11103020008539
12	BCHB080Q0A9-DTM200	Chassis waterproof cover	1.0	22027020002105	12627000000002
13	BCHB080Q0A9-DTM200	Chassis part	1.0	22027020002105	12227000007805
14	BCHB080Q0A9-DTM200	Separator	1.0	22027020002105	15500501002168
15	BCHB080Q0A9-DTM200	Front tube side plate	1.0	22027020002105	12227000007806
16	BCHB080Q0A9-DTM200	Handle	1.0	22027020002105	12100701000196
17	BCHB080Q0A9-DTM200	Valve plate	1.0	22027020002105	12227000007793
18	BCHB080Q0A9-DTM200	Front Right Side Plate Assembly	1.0	22027020002105	12227000007796
19	BCHB080Q0A9-DTM200	Support plate	1.0	22027020002105	12227000007804
20	BCHB080Q0A9-DTM200	right-rear side plate	1.0	22027020002105	12227000014870
21	BCHB080Q0A9-DTM200	Expansion valve assembly	1.0	22027020002105	12227000007795
22	BCHB080Q0A9-DTM200	Big handle assembly	1.0	22027020002105	12227000007741
23	BCHB080Q0A9-DTM200	E-part box ass'y	1.0	22027020002105	17227000005201
23.1	BCHB080Q0A9-DTM200	Outdoor main control board assembly	1.0	22027020002105	17127000011096
23.2	BCHB080Q0A9-DTM200	Filter board assembly	1.0	22027020002105	17127200001135
24	BCHB080Q0A9-DTM200	Terminal electrical control box assembly	1.0	22027020002105	17225300A00899
24.1	BCHB080Q0A9-DTM200	Wire connecting box assembly	1.0	22027020002105	12127000000556
24.2	BCHB080Q0A9-DTM200	Communication modular converter assembly	1.0	22027020002105	17111200A00621
24.3	BCHB080Q0A9-DTM200	Wire joint	1.0	22027020002105	17400401000073
25	BCHB080Q0A9-DTM200	Sensor clamp	1.0	22027020002105	12100303001022
26	BCHB080Q0A9-DTM200	Condenser	1.0	22027020002105	15827000002048
27	BCHB080Q0A9-DTM200	Top cover assembly	1.0	22027020002105	12227000007794
28	BCHB080Q0A9-DTM200	side plate	1.0	22027020002105	12227000007803
29	BCHB080Q0A9-DTM200	Drain hose	1.0	22027020002105	12100509000553
30	BCHB080Q0A9-DTM200	Pipe Temperature Sensor	1.0	22027020002105	11201007000094
31	BCHB080Q0A9-DTM200	Pipe Temperature Sensor	1.0	22027020002105	11201007000382
32	BCHB080Q0A9-DTM200	Room Temperature Sensor	1.0	22027020002105	11201007000039
33	BCHB080Q0A9-DTM200	Discharge Temperature Sensor	1.0	22027020002105	11201007004043