

OMEGA One-Way Cassette VRF Indoor Unit

SUBMITTAL DATA

220-240V/1/50Hz

Job: _____
Location: _____
Schedule: _____
System Designation: _____

Engineer: _____
Architect: _____
Date: _____
For: Reference Approval Review Construction

FEATURES

- Build in Drain Pump
- Auto Restart
- Water Overflow Protection
- Washable Filter
- High-Efficiency DC Motor
- 4 Way Air Flow



1. Specifications

Table 1.1: BECW06(08) specifications

Model			BECW006Q3A-DWM018	BECW008Q3A-DWM022
Power supply			1-phase, 220-240V, 50Hz	
Cooling ¹	Capacity	kBtu/h	6	7
	Input	W	41	41
Heating ²	Capacity	kBtu/h	7	8
	Input	W	41	41
Indoor fan motor	Type		AC	
	Quantity		1	
Indoor coil	Number of rows		2	
	Tube pitch × row pitch	mm	21×13.37	
	Fin spacing	mm	1.5	
	Fin type		Hydrophilic aluminum	
	Diameter & type	mm	Φ7, inner-groove	
	Dimensions (L×H×W)	mm	760×252.4×26.74	
	Number of circuits		2	
Indoor air flow (H/M/L)		m ³ /h	523/404/275	
Sound pressure level ³		dB(A)	37/34/30	
Indoor unit	Net dimensions ⁴ (W×H×D)	mm	1054×153×425	
	Packed dimensions (W×H×D)	mm	1155×245×490	
	Net/Gross weight	kg	12.5/16	
Panel	Net dimensions (W×H×D)	mm	1180×25×465	
	Packed dimensions (W×H×D)	mm	1232×107×517	
	Net/Gross weight	kg	3.5/5.2	
Refrigerant type			R410A	
Pipe connections	Liquid pipe	mm	Φ6.35	
	Gas pipe	mm	Φ12.7	
	Drain pipe	mm	OD Φ25	

Notes:

- Indoor temperature 27°C DB, 19°C WB; outdoor temperature 35°C DB; equivalent refrigerant piping length 7.5m with zero level difference.
- Indoor temperature 20°C DB; outdoor temperature 7°C DB, 6°C WB; equivalent refrigerant piping length 7.5m with zero level difference.
- Sound pressure level is measured 1.4m below the unit in a semi-anechoic chamber.
- Unit body dimensions given are the largest external dimensions of the unit, including hanger attachments.

Table 1.2: BECW010(12) specifications

Model			BECW010Q3A-DWM028	BECW012Q3A-DWM036
Power supply			1-phase, 220-240V, 50Hz	
Cooling ¹	Capacity	kBtu/h	9	12
	Input	W	41	41
Heating ²	Capacity	kBtu/h	10	13
	Input	W	41	41
Indoor fan motor	Type		AC	
	Quantity		1	
Indoor coil	Number of rows		2	
	Tube pitch × row pitch	mm	21×13.37	
	Fin spacing	mm	1.5	
	Fin type		Hydrophilic aluminum	
	Diameter & type	mm	Φ7, inner-groove	
	Dimensions (L×H×W)	mm	760×252.4×26.74	
	Number of circuits		3	
Indoor air flow (H/M/L)		m ³ /h	573/456/315	
Sound pressure level ³		dB(A)	39/37/34	
Indoor unit	Net dimensions ⁴ (W×H×D)		mm	
	Packed dimensions (W×H×D)		mm	
	Net/Gross weight		kg	
Panel	Net dimensions (W×H×D)		mm	
	Packed dimensions (W×H×D)		mm	
	Net/Gross weight		kg	
Refrigerant type			R410A	
Pipe connections	Liquid pipe	mm	Φ6.35	
	Gas pipe	mm	Φ12.7	
	Drain pipe	mm	OD Φ25	

Notes:

1. Indoor temperature 27°C DB, 19°C WB; outdoor temperature 35°C DB; equivalent refrigerant piping length 7.5m with zero level difference.
2. Indoor temperature 20°C DB; outdoor temperature 7°C DB, 6°C WB; equivalent refrigerant piping length 7.5m with zero level difference.
3. Sound pressure level is measured 1.4m below the unit in a semi-anechoic chamber.
4. Unit body dimensions given are the largest external dimensions of the unit, including hanger attachments.

Table 1.2: BECW15(18,24) specifications

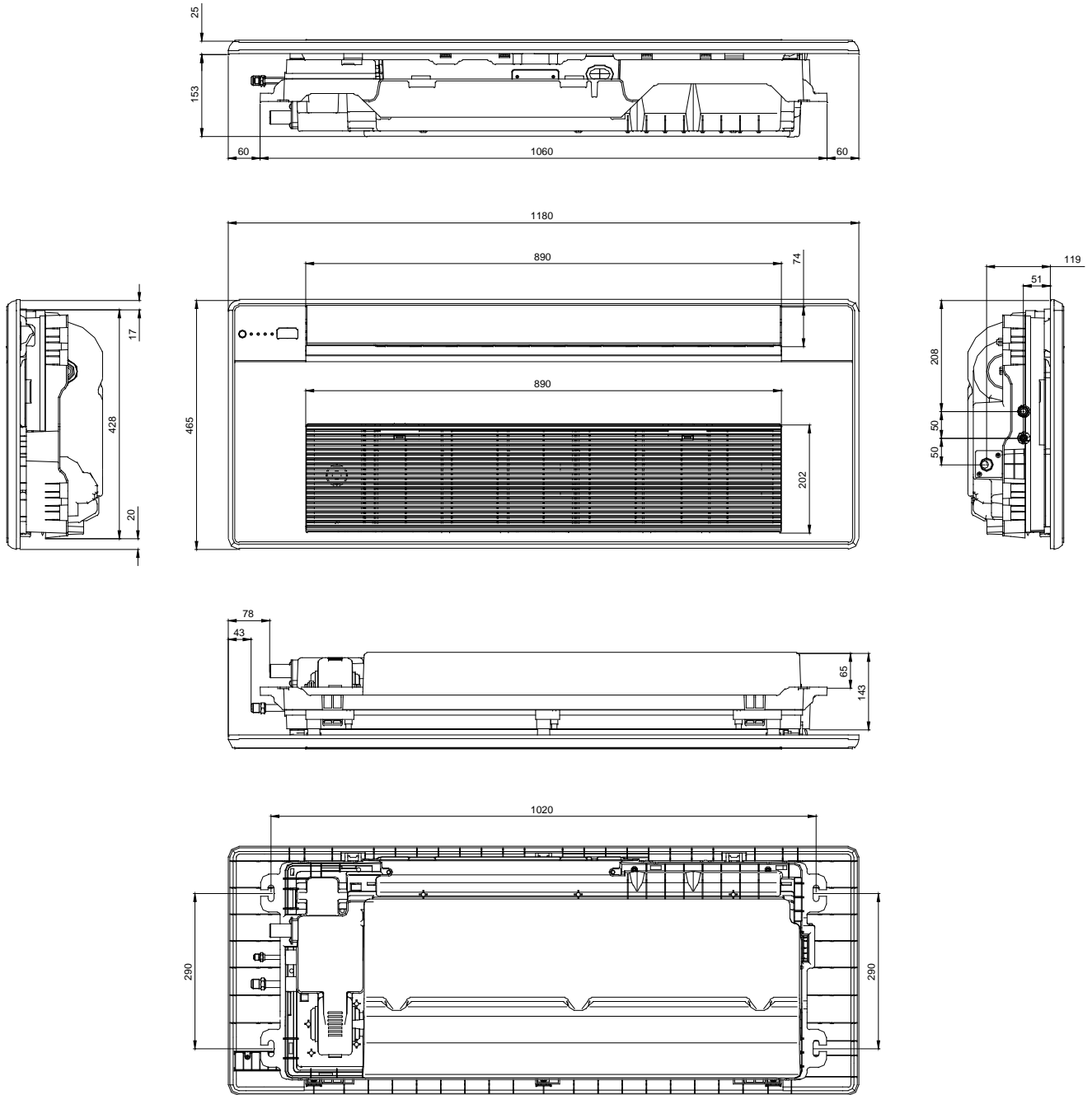
Model			BECW015Q3A-DWM045	BECW019Q3A-DWM056	BECW024Q3A-DWM071
Power supply			1-phase, 220-240V, 50Hz		
Cooling ¹	Capacity	kBtu/h	15	19	24
	Input	W	48	48	60
Heating ²	Capacity	kBtu/h	17	21	27
	Input	W	48	48	60
Indoor fan motor	Type		AC		
	Quantity		1		
Indoor coil	Number of rows		2	2	2
	Tube pitch × row pitch	mm	21×13.37	21×13.37	21×13.37
	Fin spacing	mm	1.5	1.5	1.5
	Fin type		Hydrophilic aluminum		
	Diameter & type	mm	Φ7, inner-groove		
	Dimensions (L×H×W)	mm	955×231×26.74		
	Number of circuits		3	3	5
Indoor air flow (H/M/L)	m ³ /h	693/600/476	792/688/549	933/749/592	
Sound pressure level ³	dB(A)	41/39/35	42/40/36	44/41/37	
Indoor unit	Net dimensions ⁴ (W×H×D)	mm	1275×189×450		
	Packed dimensions (W×H×D)	mm	1370×295×505		
	Net/Gross weight	kg	18.5/22.8	18.8/23.1	19.5/23.8
Panel	Net dimensions (W×H×D)	mm	1350×25×505		
	Packed dimensions (W×H×D)	mm	1410×95×560		
	Net/Gross weight	kg	4/5.4		
Refrigerant type			R410A		
Pipe connections	Liquid pipe	mm	Φ6.35	Φ9.53	Φ9.53
	Gas pipe	mm	Φ12.7	Φ15.9	Φ15.9
	Drain pipe	mm	OD Φ25		

Notes:

- Indoor temperature 27°C DB, 19°C WB; outdoor temperature 35°C DB; equivalent refrigerant piping length 7.5m with zero level difference.
- Indoor temperature 20°C DB; outdoor temperature 7°C DB, 6°C WB; equivalent refrigerant piping length 7.5m with zero level difference.
- Sound pressure level is measured 1.4m below the unit in a semi-anechoic chamber.
- Unit body dimensions given are the largest external dimensions of the unit, including hanger attachments.

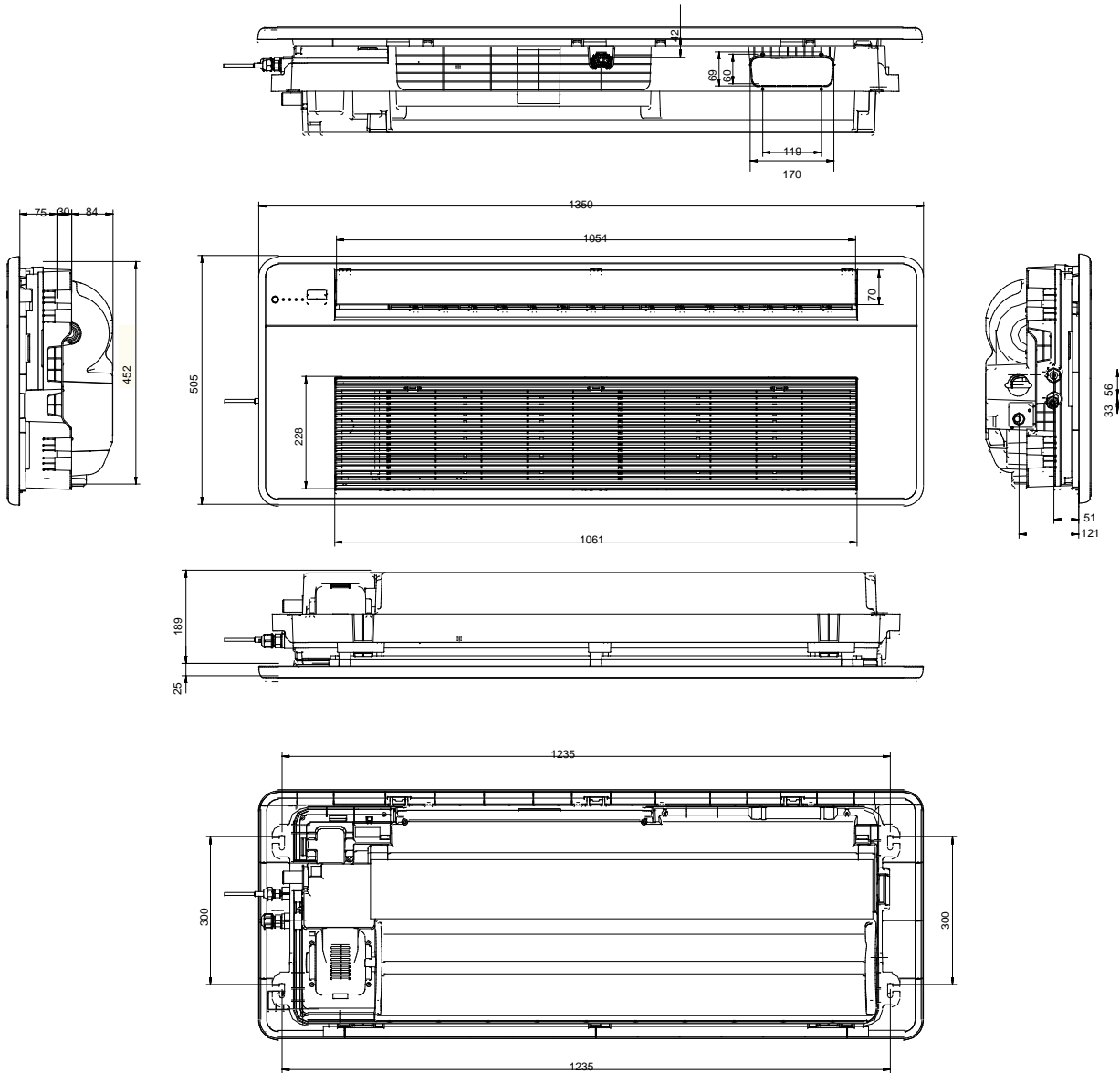
2-DIMENSIONAL DRAWINGS - (MM)

Figure 2.1: BECW006(08,10,12) dimensions (unit: mm)



2-DIMENSIONAL DRAWINGS - (MM)

Figure 2.2: BECW(18,24) dimensions (unit: mm)



2-Electrical Characteristics

Table 7.1: One-way Cassette electrical characteristics

Model	Power supply						Indoor fan motors	
	Hz	Volts	Min. volts	Max. volts	MCA	MFA	Rated motor output (kW)	FLA
BECW006Q3A-DWM018	50	220-240	198	264	0.2	15	0.04	0.16
BECW008Q3A-DWM022	50	220-240	198	264	0.2	15	0.04	0.16
BECW010Q3A-DWM028	50	220-240	198	264	0.3	15	0.04	0.24
BECW012Q3A-DWM036	50	220-240	198	264	0.3	15	0.04	0.24
BECW015Q3A-DWM045	50	220-240	198	264	0.3	15	0.05	0.24
BECW019Q3A-DWM056	50	220-240	198	264	0.3	15	0.05	0.24
BECW024Q3A-DWM071	50	220-240	198	264	0.4	15	0.06	0.32

Abbreviations:

MCA: Minimum Circuit Amps

MFA: Maximum Fuse Amps

FLA: Full Load Amps