



IEWH/ICHH Series

High Wall Inverter

Installation Manual

ENGLISH

- ✓ Read this Manual before the operation and keep it for reference.
- ✓ Read all safety precautions on the manual, improper use can cause serious injury.

Specification and performance data listed herein are subject to change without notice

www.omegainverter.com



Is a product of **OMEGA** Environmental Technologies LLC.

CONTENTS

1. SAFETY INSTRUCTIONS

Symbol Description.....	2
Installation Instruction.....	2
Operating Instruction.....	3
Safety Instruction.....	6

2. PRODUCT INTRODUCTION

Protect Functions.....	7
------------------------	---

3. INSTALLATION MANUAL.....12



GENERAL SAFETY PRECAUTION

- It is strongly recommended to read the instructions carefully before using your device.
- Use the air conditioner as specified in this guide. These instructions are not intended to cover all conditions and situations. As with any home appliance products, common sense and caution are recommended for installation, use and maintenance.
- Packaging materials are recyclable and should be thrown in appropriate containers. The air conditioner must also be thrown in a recycling center when it is condemned.
- The manufacturer declines all responsibility for damage caused by non-observance of the safety instructions in this user manual.
- Power supply: The electrical installation must comply with local electrical standard, especially for grounding. We cannot be held responsible for any incident caused by improper electrical installation.
- Electrical installation advices:
 - Do not use an extension cord, adapter or power strip
 - Make sure the power plug has the ground wire
 - The socket must be easily accessible but out of reach of children



SAFETY RULES AND RECOMMENDATIONS FOR INSTALLATION

WARNING

- The installation must be entrusted by the dealer or an authorized technician as it requires special knowledge and skills. If you install the unit yourself, there is a risk of fire, electric shock, injury, or water leakage.
- Make sure the base of the outdoor unit is securely fastened.
- Make sure that air cannot enter the refrigerated system and check for refrigerant leakage by moving the unit.
- The fuses installed in the integrated control are 3.15A / 250V for 220V and 3.15A / 125V for 110V.
The user must protect the wall unit with a fuse of sufficient capacity for the maximum power current or other overvoltage protection device.
- It is necessary to incorporate in the fixed wiring a device for disconnecting the power supply, the distance between the contacts must be at least 3 mm between each pole.
- The appliance must be installed according to the regional standards in force.
- The device must be installed according to national wiring regulations.
- Make sure that the main voltage corresponds to the one indicated on the identification plate.
- You may be shocked even if you turn off the power.
- Keep the switch or plug clean.
- Insert the plug correctly into the socket, avoiding the risk of electric shock or fire due to insufficient contact.
- You must use an independent electrical outlet to connect the unit. If you use another electrical outlet, a fire may occur.
- Check that the male and female plugs are compatible, if not pls proceed to change them.
- Do not install the appliance at a distance of less than 50 cm from flammable substances (alcohol, etc.) or pressurized containers (aerosol cans).
- If the unit is used in locations where ventilation is not available, care must be taken to prevent refrigerant leakage, which could result in a fire hazard.
- Avoid installing the unit in a location where flammable gas leaks may occur. A fire could start in case of gas leakage or gas accumulation around the unit.
- Do not install it in an excessively humid place, such as in a bathroom. Deterioration of the insulation may result in electric shock or fire.
- Before accessing the connection terminals, all power circuits must be disconnected from the power source.
- Grounding must be done by the dealer or an authorized technician. Insufficient or incorrect grounding may cause a fire.
- It is highly recommended to Perform an operation test after installing the air conditioner and save the operation data.





SAFETY RULES AND RECOMMENDATIONS FOR USE

PROHIBITION

- Never switch on or off the circuit breaker or touch the buttons with wet hands. You may be shocked.
- Do not insert your fingers or other objects into the air inlet / outlet grilles.
- Do not insert any object or liquid (metal object, piece of paper, water, etc.) into the air inlet or outlet grille. The internal blower (which can rotate at high speed) or the high voltage sections can cause injury or electric shock.
- Do not clean the inside of the air conditioner yourself. Ask your dealer to clean the air conditioner internally. Improper cleaning can result in breakage of resin parts or deterioration of the insulation of electrical components, which may result in water leakage, electric shock or fire.
- Do not place heavy objects on the power cable, expose it to heat, or pull on it. Otherwise, there is a risk of electric shock or fire.
- Do not use any other refrigerant than the one specified. Otherwise, abnormally high pressure may occur in the refrigeration cycle, which can lead to product malfunction, explosion or even personal injury.
- Do not bend, pull or crush the power cord as this may damage it.
- Electric shocks and fires are usually caused by a damaged power cord. Only a qualified technician should replace a damaged power cord.
- Do not use an extension cord or multiple plug.
- Do not touch the device if parts of your body are humid or wet.
- Do not obstruct the air inlet or outlet of the wall unit or outdoor unit.
- Clogging of these openings could cause a decrease in the efficiency of the air conditioner with the possibility of subsequent failures.
- Do not alter the characteristics of the device in any way.
- Do not install the unit in an environment that may contain gasoline, oil, or sulfur or near a heat source.
- Do not climb, do not place heavy or hot objects on the top of the unit.
- Do not leave doors or windows open for extended periods while the air conditioner is running.
- Do not direct the air flow onto plants or animals.
- Prolonged direct exposure to the cold air conditioner could have a negative effect on plants or animals.
- Do not put the air conditioner in contact with water. Electrical insulation could be damaged and cause a risk of electric shock.
- Do not climb or place objects on the outdoor unit.
- Never insert a stick or similar object into the outdoor unit. You could be seriously injured.

WARNING

- The manufacturer declines all responsibility for damage caused by non-observance of the safety instructions in this user manual.
- Be careful not to install, repair, open or remove the cabinet. You may be exposed to dangerous voltages. Ask the dealer or a professional to do so.
- Always use the air conditioner with the air filter in place. Use without the air filter could cause excessive accumulation of dust and other residues on the internal components resulting in subsequent failures.
- The fins should be down in heating mode and up in cooling mode.
- Selecting the most appropriate temperature may prevent damage to the unit.
- Do not expose your body directly to cold or hot air for a long time.
- In the event of a malfunction (burning smell, etc.), switch off the air conditioner and switch off the circuit breaker.
- Be careful not to disassemble, modify or move the device yourself. You may cause a fire, electric shock, or water leak. If the cables are damaged, there is a risk of electric shock or fire. Always contact your dealer to repair or move the unit.
- If a malfunction occurs (especially if there is a burning smell from the unit or the unit is no longer cooling), immediately stop using the unit and turn off the circuit breaker. If you continue to use the product under these conditions, you may be subjected to electric shock or fire. Always contact your dealer to repair or have the device inspected.
- Do not connect the ground wire to a gas pipe, water pipe, lightning rod or to the telephone earth line.
- If the drain hose of the indoor unit is exposed due to moving the unit, close the opening.
- Do not touch the internal electrical components as this may result in electric shock or injury.
- If the air conditioner does not cool or heat up, it is possible that refrigerant leakage has occurred. Contact your dealer. The refrigerant used in the air conditioner is well protected. It will not leak under normal conditions of use. Nevertheless, if a leak occurs and the fluid comes into contact with a heat source, especially with a radiator or a range, a harmful reaction can take place.



- In case of unusual noises, stop using the device immediately and switch off the circuit breaker. If you continue to use the product under these conditions, it may cause a fire or electric shock. Contact your dealer for service.
 - Be careful not to damage or modify the power cable. Be sure to connect the cable correctly and do not use a multi-plug where other devices are connected. Otherwise, a fire may occur.
 - This device is not intended to be used by persons (including children) with reduced physical or mental abilities.
 - Children must be supervised so that they do not play with the device.
 - Check that the circuit breaker is correctly installed. Failure to install the circuit breaker properly may result in electric shock. To check the installation method, contact your dealer or the authorized service technician who installed the unit.
 - If you use the appliance in a closed room or with other combustion appliances, ventilate the room regularly by opening a window. Insufficient ventilation may result in asphyxiation due to a lack of oxygen.
 - Avoid using the device for a long time in an excessively humid environment (where the humidity is above 80%), especially when windows and doors are left open. Condensation may be formed in the indoor unit and water may flow on your furniture, which may damage the unit.
 - In case of prolonged disuse, turn off the switch or disconnect the main circuit breaker.
 - It is recommended to entrust the maintenance of the device to a specialist in case of prolonged use.
 - At least once a year, check if the mounting table of the outdoor unit is damaged. If you do not perform this check and the table is damaged, the unit may fall and injure someone.
 - Use a stable and sturdy ladder to install / remove the front panel / air filter. Otherwise, you risk to fall and injure yourself.
 - Do not hang on the outdoor unit and do not place any object on it. This may indeed tip over or fall, and you could hurt yourself. Damage to the unit may cause electric shock or fire.
 - Do not use combustion equipment directly in the airflow of the air conditioner. Poor combustion can lead to asphyxiation.
 - Check that the water is properly drained. If the exhaust system is clogged, leakage may occur and water may damage your furniture. To verify that the installation method used is correct, contact your dealer or the authorized service technician who installed the unit.
 - Do not place any containers filled with liquids, such as vases, on the apparatus. Otherwise, the liquid in the container may get inside the unit and damage the electrical insulator, which may cause an electric shock.
 - Do not place any other electrical appliance or furniture under the unit. Drops of water could fall on them, which could damage the furniture or the appliance.
 - Be careful not to place animals or plants directly in the airflow of the air conditioner. This can affect the health of the animals or plants.
 - Do not place objects near the outdoor unit and regularly clean dead leaves that fall around. Dead leaves attract small animals, which can come into contact with the electrical components of the appliance, which may cause a malfunction or fire.
 - Do not use the appliance for other purposes than the one designed, such as for storing food or animals, or as a support for plants, precision appliances or art works. Do not use the unit in a boat or other vehicle as this may cause the unit to malfunction or damage the vehicle. When you clean it, you must turn off the power and turn off the breaker. Since the internal blower can turn at high speed, you could hurt yourself.
Do not clean the main unit with water as this may cause an electric shock.
 - After cleaning the front panel or air filter, carefully wipe off any splashing water and let it dry. The presence of water may cause an electric shock.
 - After removing the front panel, do not touch the metal parts of the unit. You could hurt yourself.
 - Do not touch the air intake section or aluminum fins of the unit. You could hurt yourself.
- If thunder rumbles and lightning announces a thunderstorm, stop using the device and turn off the breaker.
Lightning may cause a malfunction.

BATTERY REMOTE CONTROL



- Observe the (+) and (-) polarities when inserting the batteries.
- Do not recharge the batteries.
- Do not use batteries whose recommended period of use has expired.
- Be sure to remove used batteries from the remote control.
- Do not use batteries of different types at the same time and do not use new batteries with used batteries.
- Do not solder the batteries.
- Be careful not to short-circuit, disassemble, heat, or burn batteries. If the batteries are discarded incorrectly, they may explode or leak, possibly resulting in burns or injury.
- If your skin comes into contact with the battery fluid, rinse immediately with plenty of water. If liquid is flowing on devices, wipe it to prevent direct contact.
- Keep batteries out of reach of young children. If a child swallows a battery, consult a doctor immediately.

SAFETY PRECAUTIONS





WARNING: Following these basic precautions will reduce the risk of fire, electrical shock, injury or death when using your air conditioner.


1. Air conditioner must be connected to proper electrical outlet or breaker with the correct electrical supply. And only the specified power can be used.
2. Proper grounding must be ensured to reduce the risk of shock and fire
DO NOT CUT OR REMOVE THE GROUNDING PRONG. If you do not have a three-prong electric receptacle outlet or breaker in the wall, have a certified electrician install the proper receptacle or breaker. The wall receptacle or breaker **MUST** be properly grounded.
3. **DO NOT** use if power cord is frayed or otherwise damaged. Also avoid using it if there are cracks or abrasion damage along the length, plug or connector.
4. **DO NOT USE AN ADAPTER OR AN EXTENSION CORD.**
5. **DO NOT** block airflow inside or outside the air conditioner with blinds, drapes, protective covers, shrubs or blusher.
6. Be careful of sharp edges on the front and rear fins of the unit that could cut and cause serious injury.
7. Be careful when lifting the air conditioner to install or remove the unit. Always use two or more people for this.
8. Always cut off the power of air conditioner before servicing it or moving it.
9. In some type of units, there is no appropriate plug corresponding to its power cord because of power, Under this condition, an appropriate power breaker should be linked to its power cord, therefore, the instruction part associated with plug using is not available for these types.
10. An all-pole disconnection switch having a contact separation of at least 3mm in all poles should be connected in fixed wiring.
11. The appliance shall be installed in accordance with national wiring regulations.
12. This appliance is not intended for use by persons (including children) with reduced physical, sensory or mental capabilities, or lack of experience and knowledge, unless they have been given supervision or instruction concerning use of the appliance by a person responsible for their safety. Children should be supervised to ensure that they do not play with the appliance.


SAFETY INSTRUCTIONS

〔Symbol Description〕

	Warning: A symbol indicating operation which may cause personnel casualties or serious damages.
	Caution: A symbol indicating operation which may cause personnel casualties or property damages.


〔Installation Instruction〕

**Warning**





 **Never install by yourself.**

Split type air conditioner will work for you for a long period of time if it is correctly installed. Improper installation could cause problems such as leakage of water or refrigerant, electric shock or fire.

If the power cable to the unit is disconnected, burnt, chipped, or detached from the terminal , to make reparations, please contact the nearest service center, or repaired by people who have the same qualifications or experience to avoid electrical hazards.

**Caution**

Please confirm the following before installation

<p> Power specifications</p> <p>Make sure that the capacity of socket or breaker and power cable is sufficient, the voltage is correct and the socket or breaker is grounded. There may be hazard of fire or electric shock otherwise.</p>	<p> Proper connection of wires and piping</p> <p>Improper connection may decrease the efficiency or cause air conditioner stop running. Water or refrigerant leakage may be resulted as well.</p>
<p> Installation environments</p> <p>Do not install air conditioner at the place where there is flammable or corrosive air.</p>	<p> Operating instruction</p> <p>Please operate air conditioner in accordance to this manual.</p>

〔Operating Instruction〕

WARNINGS

Following the safety messages is very important. These messages can save you from being injured or killed. Warning symbols alert you to be careful and means danger. Always follow instructions to be safe and reduce chances of injury or death. Warning and danger signs will precede safety messages.

Electrical safety

Grounding: This room air conditioner must be grounded.



Grounding reduces the risk of electric shock by providing an escape wire for the electric current.

If the power cord has a grounding plug with a grounding wire, plug it into an outlet that is properly installed and grounded.

If the power cord has not a grounding plug with a grounding wire, the grounding wire must connect the breaker that is properly installed and grounded.

Warning: Improper use of the grounding plug or breaker can result in a risk of electric shock. Call a qualified electrician if you don't understand the grounding instructions or if you are not sure if the air conditioner is properly grounded. If the wall outlet or breaker is not grounded, please contact an electrician to have it replaced with a properly grounded outlet or breaker.

Do not, under any circumstances, cut or remove the third (ground) prong from the power cord.

Adapter plug: We strongly advise against using an adapter plug or breaker.

Operating conditions

1. Temperature: T1 instance: $-7^{\circ}\text{C}\sim 45^{\circ}\text{C}$ ($16^{\circ}\text{C}\sim 45^{\circ}\text{C}$ in cooling-only type)

T3 instance: $-7^{\circ}\text{C}\sim 52^{\circ}\text{C}$ ($16^{\circ}\text{C}\sim 52^{\circ}\text{C}$ in cooling-only type)

If the unit runs beyond the temperature for a long time, it may cause cooling capacity to decrease or protector to work.

2. Relative humidity: <80%

If the unit runs beyond the humidity range, condensate may be formed near blade and outlet of air conditioner. It's normal.

-
3. In heating operation, strange smell may come from the unit. It is Normal phenomenon.
 4. The performance parameters refer to name plate.
 5. The waterproof level of indoor unit is IPX0. Do not use it in the laundry or bathroom.
 6. The outdoor unit can't be installed in a closed area.

Tips

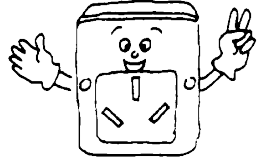
- Install the unit on the north side, as normally that is the shaded side. This will enhance the operation of your unit.
- Use correct electric voltage and proper ampere for the unit to run effectively.
- Only let a certified electrician do any modifications to your electrical outlet or breaker.
- Use a dedicated line for the operation of your air conditioner to avoid the possibility of an electrical surge.
- If the supply cord is damaged, it must be replaced by the manufacturer or its service agent or a similarly qualified person in order to avoid a hazard.
- The dimensions of the space necessary for correct installation of the appliance including the minimum permissible distances to adjacent structures.
- The appliance shall be installed in accordance with national wiring regulations.
- Disconnect the power supply before cleaning and maintenance.
- If the appliance is not connected by plug, an all-pole disconnection device which has at least 3mm separation distance in all pole and a residual current device(RCD)with the rating of above 10mA shall be incorporated in the fixed wiring according to the national rule.
- If the appliance is connected by plug, it must be positioned so that the plug is accessible.

Energy Saving Guide

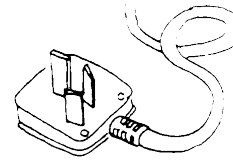
- When installing your air conditioner make sure to seal all areas where there is a possibility of air leakage.
- Airflow should not be blocked inside either by curtains, drapes or furniture or outside by shrubs or bushes.
- Do not needlessly use an electrical light or other appliances that produce heat.
- Keep the blinds and the drapes drawn on all the other window.
- While cooking use an exhaust fan in the kitchen to remove the excess heat produced.

〔Operating Instruction〕

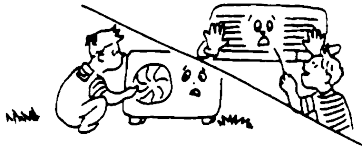
Only single-phase a.c. power can be used.
please refer to nameplate for details.



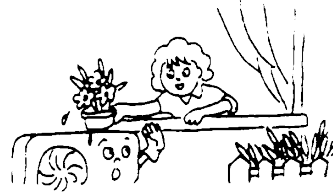
Use the specified power cord; do not change it.



Do not put fingers or sticks into the inlet or outlet of air conditioner; the running fan may cause injuries.



Do not put anything on the outdoor unit.



Do not switch on or off the unit by plugging or pulling off the plug, or by switching on or off the breaker .



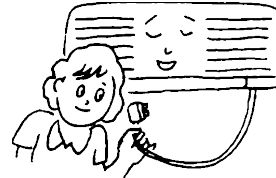
Keep indoor ventilated, especially when there is operating gas equipment.



Do not substitute fuse with lead wire or other materials.



Pull off power plug or switch off breaker if the air conditioner is not used for a long time.



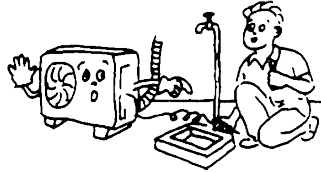
[Safety Instruction]



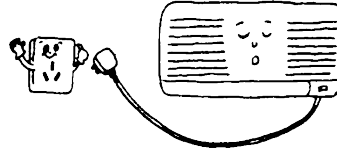
Warning:

The appliance is not intend for use by young children or infirm persons without supervision.
Young children should be supervised to ensure that they do not play with the appliance.
If the supply cord is damaged, it must be replaced by the manufacturer or its service agent or a similarly qualified person in order to avoid a hazard.

Don not connect the earth line to gas pipe, water pipe. Improper grounding may cause electric shock.



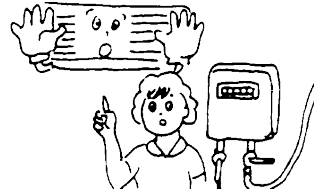
Do not pull off the power plug or switch off the breaker when it is in operation.



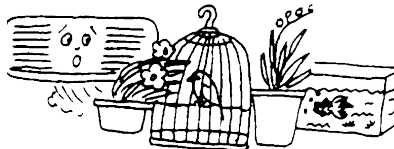
Switch off the unit; cut off the power source and contact service agent if there is abnormal phenomenon (e.g. burning smell comes out).



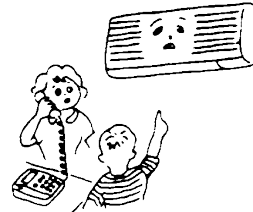
Do not install air conditioner at the place where flammable gas may leak.



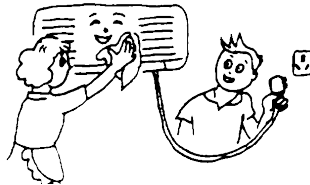
Do not place plants or animals directly in the path of the air conditioner's airflow. Doing so could harm them.



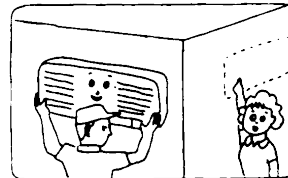
Please contact service agents for service. Improper service may cause accident.



Switch off the unit, cut off the power source and make sure the fan stops before cleaning the unit.



For removal and installation of air conditioner, please refer to professionals or contact service agents.



PRODUCT INTRODUCTION

〔Protect Functions〕

Protect functions can prolong the air conditioner's service life and provide more comfortable airflow.

Delay-starting protection for the compressor

The compressor will restart working at least 3 minutes (5 minutes in heating mode) after being turned off to keep the pressure balance of the cooling system.

Remarks: There will be 1 minute for the compressor to work after the unit is electrified for the first time.

Freeze-prevention

To prevent indoor heat exchanger freezing in cooling and dehumidification operation, compressor or outdoor fan may stop running; indoor fan speed will be adjusted to a higher gear automatically.

Dry for enzyme-prevention (optional)

Indoor fan motor will go on running for 3 minutes at low fan speed when turned off in cooling mode in order to keep dry condition inside the unit.

Reset power or Auto restart(alternative)

Reset power: When there is a power suspension, air conditioner will automatically switch off. When the power is back, the unit will automatically reset power. For energy saving if there is no person in the room, air conditioner will stay in PAUSE status. User needs to turn on Air conditioner by remote controller.

Auto restart: The unit memories the operation mode, air flow setting, temperature setting etc., so that should there be a power failure when the unit is in operation, it will automatically return the same operating conditions when the power is restored.

Cooling overload working (optional)

In cooling operation, if the temperature of outdoor heat exchanger is too high, indoor fan speed will be adjusted to a lower gear automatically and compressor may be stopped.

Drip proof (optional)

In cooling and dehumidification operation, louver blades can change the position automatically to prevent from dripping.

INSTALLATION MANUAL

[[Installation Guide]]

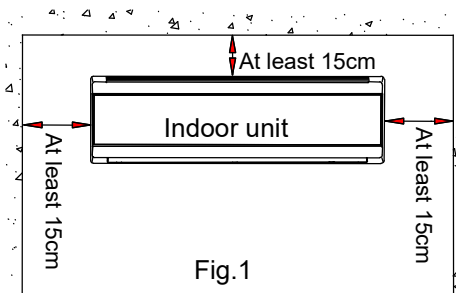
- This air conditioner meets the safety and operation standards promulgated by the Nation.
- You need to invite professional air conditioner service and maintenance personnel to install or remove the air conditioner. Problems may occur and you may suffer losses if non- professionals install the air conditioner.
- User shall provide the power that meets installation and operation requirements. please refer to nameplate for details about the voltage for this product. Voltage beyond this scope will affect the normal operation of the air conditioner.
- Separate power point with delay fuse protector or automatic breaker should be used for the air conditioner.
- The air conditioner must be correctly and reliably grounded, or it may cause electric shock or fire.
- Do not switch on the power of the air conditioner before well connecting and carefully checking the tubing and wires.
- The appliance shall not be installed in laundry or bathroom.
- In case necessary, please consult your supply authority for system information.
- The plug shall be accessible after installed the appliance.
- This instruction is subject to change without notice.

[[Installation of Accessories]]

- Examine carefully the attached packing list and check whether the accessories are complete.
- Users may need to buy at their own expenses the articles not included in the packing list and may be needed in installing.

[[Position for Indoor Unit]]

- Away from the place where there is heat source, steam source, leakage of flammable gas and smoke.
- No obstacles near the inlet and outlet, and keep good ventilation.
- Good discharge for water.
- At least 1m away from wireless equipment (such as TV, radio etc.).
- Mounted on the wall that can bear the weight of the air conditioner and won't produce noise while unit working.
- The distance between the indoor unit and the floor should be greater than 2.3m.
- The plug shall be accessible after installing the appliance.
- Ensure the distance as required in Fig.1.
- The back of the indoor unit should be close to the wall(Fig.1)



- The all figures are only schematic, and they may be slightly different from the actual appliances you selected.

[[Position for Outdoor Unit]]

- Avoid direct sunlight.
- Away from heat source, steam source, leakage of flammable gas, smoke and dust.
- Select a place that is away from rain (snow) and has good ventilation.
- Neighbors will not be affected by the blown wind and noise, or discharged water.
- The place that is easy to install and service.
- Mounted on the solid and reliable foundation will not increase noise or shock.
- To get high cooling performance, make sure the unit's front, rear, left and right sides must be located in an open area.
- The outlet is proposed to be in open air, any obstacle will affect the performances.
- The installing distance must be required as Fig. 2 shows.

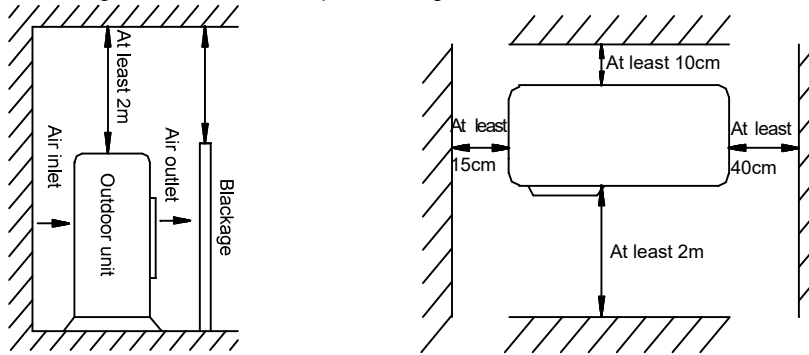


Fig.2

[[Tubing Selection]]

- Ensure that the level (height) difference of indoor and outdoor units and the length of tubing meet the requirement in the Table 1.
- If the tubing is longer than 7m, but shorter than 15m, refrigerant should be supplemented according to Table 1.
- If the installation position of the outdoor unit is higher than indoor unit and the tubing is longer than 10m, add an oil trap on the gas tubing for every 8m. (Fig.3)

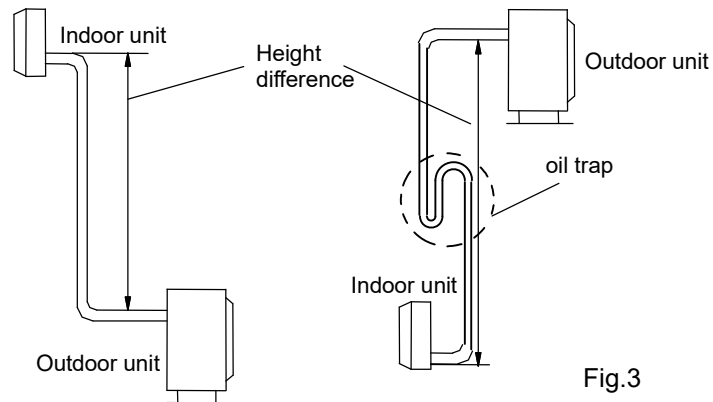


Fig.3

Tubing size(mm/inch)		Standard tubing Length (m)	Max tubing Length (m)	Height Difference (m)	Additional refrigerants(g./m)
Liquid tube	Gas tube				
φ 6(1/4")	φ 9.52(3/8")	5.0	9	5	12
φ 6(1/4")	φ 12(1/2")	5.0	12	7	12
φ 6(1/4")	φ 15.88(5/8")	5.0	15	8	12
φ 9.52(3/8")	φ 15.88(5/8")	5.0	15	8	15
φ 9.52(3/8")	φ 19.05(3/4")	5.0	20	10	15

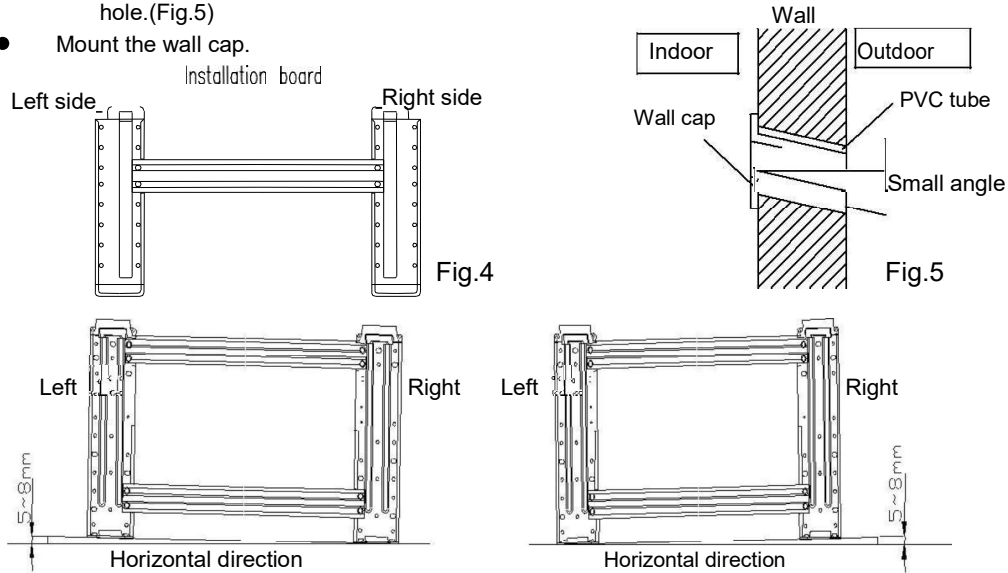
The above dimensions are for reference only, the actual product shall prevail"

〔Fixing Installation Panel〕

- Dismantle the metal installation board of the indoor unit. Adjust the mounting panel to horizontal position.
- Drill holes and insert plastic expansion tubes at the appropriate locations on the wall and fix the installation board on the wall with M5x30 screws and washer 6. Ensure that there must be at least 4 fixed points in the wall. Ensure installation board to horizontal position.
- Drill holes as Fig. 4 shows. The hole, 80mm in diameter, should slightly slide down outwards..
- Cut PVC tubes at a slight angle in the length shorter than wall thickness and inset it into the

hole.(Fig.5)

- Mount the wall cap.

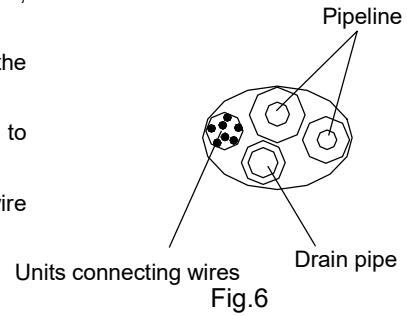


〔 Indoor Unit Installation 〕

The tube may be connected in several directions as below shown Figures.

1. Connecting right back tube (similar to right lower tube) (Optional, Refer to Fig.7)

- Pull out the tubing from bottom of the chassis; and connect the drainpipe. Strap the joint of tubing reliably.
- Lead the connecting wire to the indoor unit (Do not connect to the power).
- Strap together the tubes, discharge pipe and connecting wire with adhesive tape. The discharge pipe is put at the below.
- Remove the board which is on the chassis.
- Check if the connections are reliable.
- Mount the indoor unit on the two hooks at the upper part of installation board.

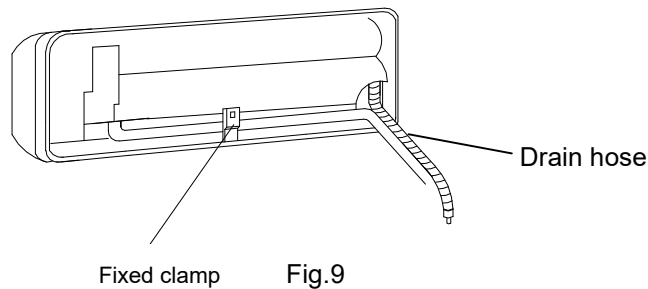
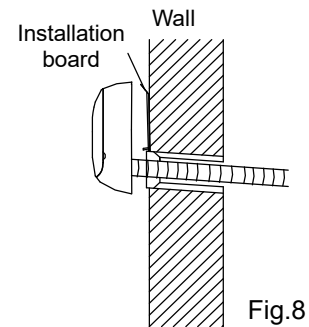
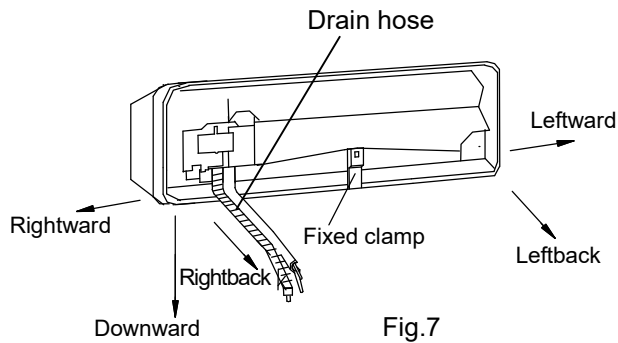


2. Connecting left back tube (similar to left lower tube). (Optional, Refer to Fig9)

- Move the discharge tube to the left side, and discharge cap to the right side.
- Fix the tubes in the slot of the indoor unit with the fix clamp.
- The following mounting steps are the same as those in "1. Connecting right back tube."

NOTE: 1. Left chart is available for the position of drain hose. Refer to Fig.7. 2.

Right chart is available for the position of drain hose. Refer to Fig.9.



〔Outdoor Unit Installation〕

- If installation brackets for installing outdoor unit are needed, user could buy the brackets from our company or agents (Fig.10) .
- Assemble the mounting frame and supports with the attached 6 screws , plain washers, spring washers, and nuts.
- Drill 6 or more holes on the wall according to the feet size of the air conditioner. Determine the locations for mounting left and right supports. Ensure that the left and right supports are on the same level.
- Fix installation frame on the wall with expansive bolts.
- Fix outdoor unit with 4 bolts on the installation brackets.
- Fittings must be tightly screwed; Connection must be tight and reliable.
- In installing outdoor unit, the body should be hung with ropes to prevent from falling.
- In installing or repair, tools and components should be prevented from falling.
- Regularly check the reliability of the installation frame.

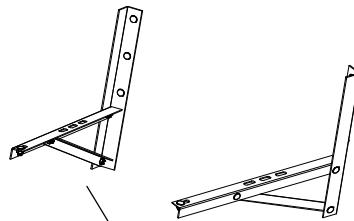


Fig.10

Installation support

〔Tubing Connection〕

- Detach the valve cover of outdoor unit.
- Align flaring nut to the thread center, and screw the nut tightly by hand.
- Screw tightly the flaring nut with torque spanner until the torque spanner produces "click" sound.
- It is recommended to use torque spanner to connect the tubing. If other flexible or fixed spanner is used, it may damage the horn mouth due to improper force.
- The bending angle of the tube should not be too small or the tube may break up, so the service personnel should use tube bender to bend the tube.
- Never let water, dust or sand gets into the pipe.

Table 2

Tubing size (mm/inch)	Torque (N. m)
φ 6 (1/4")	15~20
φ 9.52(3/8")	35~40
φ 12(1/2")	50~55
φ 15.88(5/8")	60~75
φ 19.05(3/4")	80~95

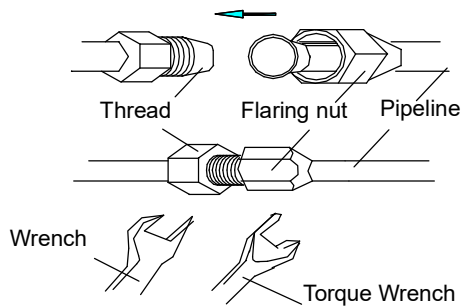
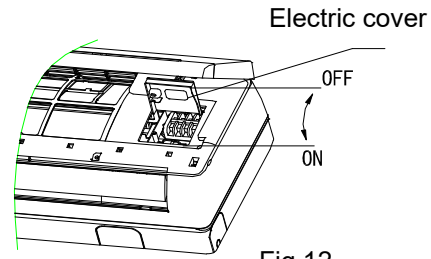


Fig.11

〔 Connection of Wires 〕

1. Indoor unit

- Open upward the inlet grid to the greatest extends.
- Remove the electric cover from the unit.
- Loose the screw at connection lid. (Fig.12)
- Dismantle the wire pressure plate.
- Connect the power connecting wires and signal control wire separately to the corresponding terminals. (In Fig.14, please choose the same wiring diagram just with the wiring diagram of unit .)
- Loose off the screw on the earth plate; press earth wire tightly.
- Press tightly the connecting wires of the unit with lead wire pressure plate.
- Close the connection lid screw it tightly and close the inlet grid.



2. Outdoor unit

- Unscrew and dismantle the electronic device lid(Fig.13).
- Dismantle the pressure plate of wire fastener.
- Connect the connecting wires of the unit separately to the corresponding terminals. (Fig.14)
- Press tightly the connecting wires of the unit with top pressure plate.
- Remount the electronic device lid to the original position.

If user wants to prolong or replace the power wire, please do it according to the table(Table3).

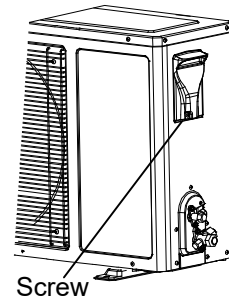


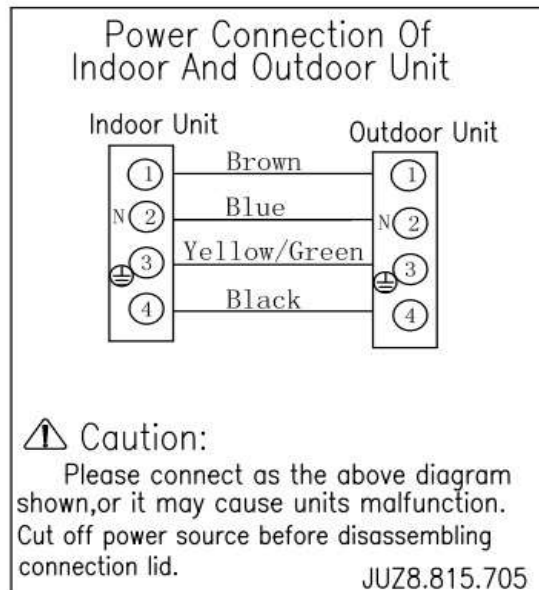
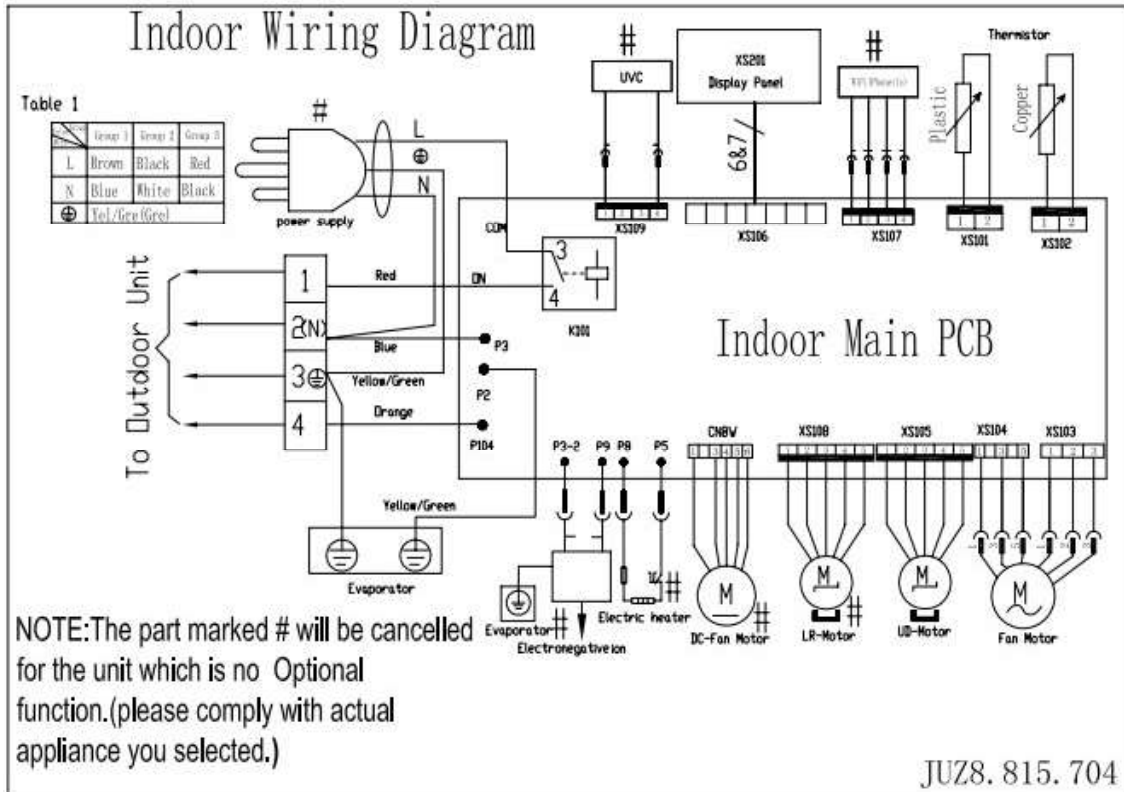
Fig.13

Table 3

		Power connecting wires	Signal control wire	Power cord
	Max. Length	10m	10m	5m
5K/7K/9K/12K	Cross sectional area	$\geq 1.0 \text{ mm}^2$	$\geq 1.0 \text{ mm}^2$	$\geq 1.0 \text{ mm}^2$
16K/18K		$\geq 1.5 \text{ mm}^2$	$\geq 1.5 \text{ mm}^2$	$\geq 1.5 \text{ mm}^2$
18K/21K/24K/28K		$\geq 2.5 \text{ mm}^2$	$\geq 0.75 \text{ mm}^2$	$\geq 2.5 \text{ mm}^2$

〔Wiring Diagram〕

IEWH009I3A-CWJ026LCI, ICHH009I3A-CTJ026GF
 IEWH012I3A-CWJ035LCI, ICHH012I3A-CTJ035GF
 IEWH018I3A-CWJ053LCI ICHH018I3A-CTJ053GF
 IEWH024I3A-CWJ070LCI ICHH024I3A-CSJ070GF



Notes:

- Earthing screw must use special screw(stainless machining screws or copper screws M4)
- Ensure that all wires are securely connected, will not loose or separate.
- Ensure that wire connections are carried out according to the wiring diagram of the air conditioner.
- The above figures are only schematic, and they may be slightly different from the actual appliances you select.

[Tube Strapping]

- Strapping with PVC Protective tape must be careful, do not damage the pipeline and drain pipe.
- Strapping should start from the lower part of the outdoor unit to the indoor unit.
- Fix the PVC tape with adhesive tape to prevent losing.
- Drainpipe should slightly slide down outwards to ensure drainage well.
- When the indoor unit is lower than the outdoor unit, bend the tube to proper extent to prevent water draining into house.
- Fix the tube bundle with tube clamps on the wall.
- Allow enough space between discharge pipe and the ground. Do not put the discharge pipe in water or ditch.
- Seal the external wall holes with sealing gum or putty.

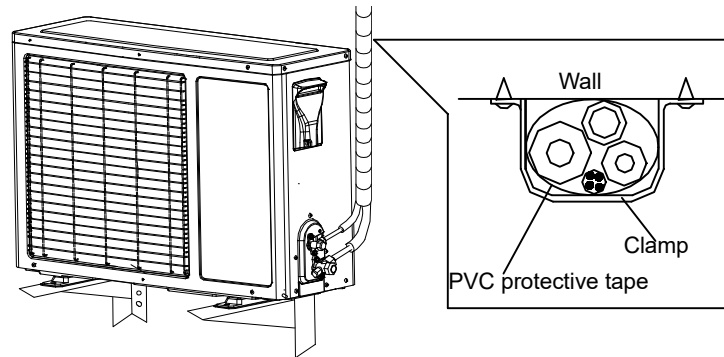


Fig.15

[[Exhaust]]

1. Exhausting type

- Make sure that all the tubes of indoor and outdoor unit are connecting well.
- Take off valve bonnet and service port valve bonnet from two-port valve (small pipe cut-off valve) and three-port valve (large pipe cut-off valve).
- Turn counter-clockwise 1/4 turn the spool of two-port valve, close after 10 seconds.
- To check whether there are leakage at all connections.
- If there is no leakage, turn again two-port valve counter-clockwise 1/4 turn, at the same time hold out against the exhaust from valve inside of service port of three-port valve for 10 seconds.
- Open two-port and three-port valves for running.
- Screw tightly the valve bonnet.
- Check with soap water or leak detector whether there are leakage at all indoor and outdoors' connections.
- Put the valve bonnet and valve cover back to the position.

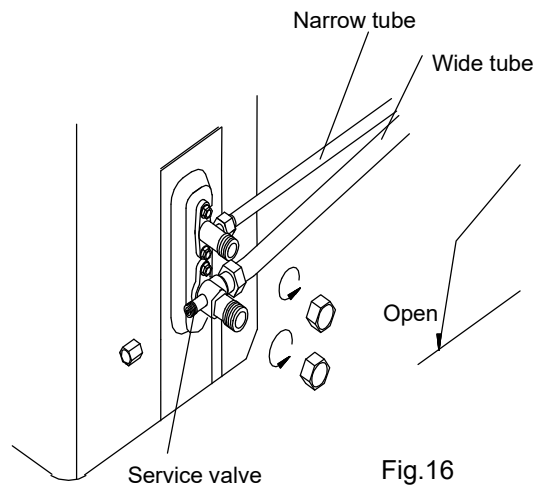


Fig.16

2. Pumping type

- Make sure that all the tubes of indoor and outdoor unit are connecting well.
- Take off valve bonnet from two-way and three-way valves by spanner; connect vacuum pump and compound valve to the service valve bonnet.
- Open the low-pressure switch of compound valve, and run vacuum pump until units' internal pressure at 10 mmHg.
- After pump vacuum, close the low-pressure switch of compound valve, and then close vacuum pump. Turn anti-clockwise 90° Spool of narrow pipe service valve by hexagon spanner, tightly with clockwise turning after stopping for 10 seconds.
- Check with soap water or leak detector whether there is leakage at all connections of indoor and outdoor unit.
- Open wide and narrow pipe service valves by hexagon spanner for running.

- Take off the connection pipeline of wide pipe service valve.
- Screw tightly the entire valve bonnet by torque spanner.
- Check with soap water or leak detector whether there are leakage at all indoor and outdoors' connections.
- Put the valve bonnet and lid back to position.

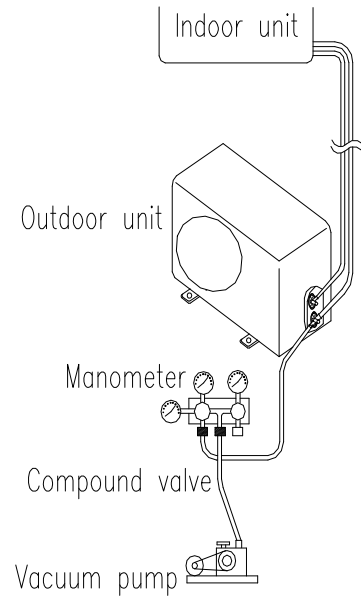


Fig.17

〔Drainage〕

1. No need drainage treatment

In regions where become cold in the winter, don't install the drain elbow joint to prevent drain water from freezing and causing the fan to be damaged. This drainage treatment is not necessary for cooling-only type air conditioner.

2. When need drainage treatment

- Please use drain elbow joint (in accessory bag). Outdoor unit should be placed on blocks.

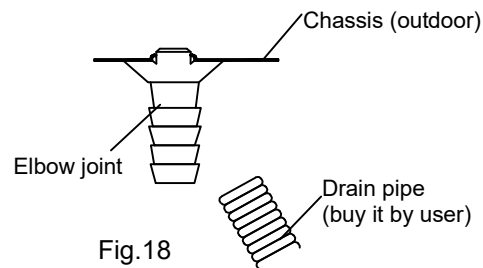
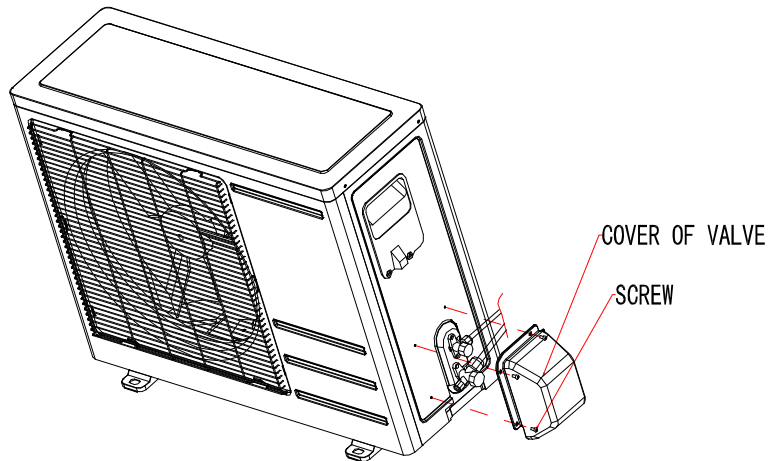


Fig.18

Installation for the cover of valve:

For the whole unit that individual cover of valve is available (refer to packing list), the installing method is as follow:

After connecting the connection pipes between indoor and outdoor units followed by the installing method mentioned above, take out the cover of valve from the accessory bag, and fix it on the side of outdoor unit with three corresponding screws (inside the accessory bag).





OMEGA
ENVIRONMENTAL
TECHNOLOGIES LLC.

17702 Mitchell North, #101
Irvine, CA. 92614 .USA
Tel: 714 795 2830
Fax: 714 966 1646
info@omegainverter.com
www.omegainverter.com

OTECTM
AIR CONDITIONING

Showroom & Technology Center
11380 Interchange Circle North
Miramar, FL 33025 .USA
Tel: 305 901 1270
Fax: 954 212 8280
info@otecomega.com
www.otecomega.com

IEWH(CHH)I3A-IM1C0622