

# OMEGA Ceto Inverter Mini Split

## SUBMITTAL DATA

**220~240V/1/50Hz**

Job: \_\_\_\_\_  
 Location: \_\_\_\_\_  
 Schedule No.: \_\_\_\_\_  
 System Designation: \_\_\_\_\_

Engineer: \_\_\_\_\_  
 Architect: \_\_\_\_\_  
 Date: \_\_\_\_\_  
 For:      Reference      Approval      Review      Construction

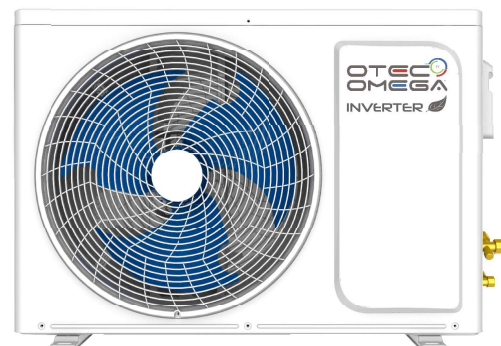
### FEATURES

#### Outdoor

- Inner Grooved Copper Tube
- Super Quiet Operation
- Corrosion-Resistant Cabinet
- Over Current Protection
- High-Efficiency Coils with Gold Fin
- Discharge High Temperature Protection

#### Indoor

- Auto Diagnosis
- Low Temperature Cooling
- Turbo Cooling Function
- Up to 19 SEER in Cooling Mode
- Wifi Capable
- Auto Clean Gold Fin



# 1. Specifications

## IEWH - Indoor Unit & ICHH - Outdoor Unit

INDOOR MODEL NUMBER		IEWH009I3A-CWJ026CI(L)	IEWH012I3A-CWJ035CI(L)	IEWH018I3A-CWJ053CI(L)	IEWH024I3A-CWJ070CI(L)		
OUTDOOR MODEL NUMBER		ICHH009I3A-CTI026GF	ICHH012I3A-CTJ035GF	ICHH018I3A-CTJ053GF	ICHH024I3A-CSJ070GF		
NOMINAL CAPACITY		BTU (kw)	9000 (2.8)	12000 (3.6)	18000 (5.6)	24000 (7.1)	
Power supply		V-PH-Hz	220-240V/1/50HZ	220-240V/1/50HZ	220-240V/1/50HZ	220-240V/1/50HZ	
Power Supply Mode			Indoor	Indoor	Indoor	Indoor	
Control type			Remote	Remote	Remote	Remote	
Cooling	Capacity	BTU	9000	12000	18000	24000	
	Power Input	W	879	1135	1702	2198	
	Rated Current	A	4.0	5.2	7.7	10.0	
	SEER		19.00	19.00	19.00	19.00	
Moisture removal		L/h	1.0	1.2	1.8	2.2	
Max. input consumption		W	1319	1702	2553	3297	
Max. current		A	6.2	8.0	12.0	15.5	
Indoor unit	Motor speed (TU/Hi/Mi/Lo)	RPM	1320	1320	1250	1150	
	Indoor air flow	CFM	500/450/400/350	550/500/450/400	820/720/620/520	1200/1050/900/800	
	Noise level	dB(A)	40/38/36/34	42/40/38/36	44/41/38/35	46/43/40/37	
	Unit dimension (W*H*D)	mm	720*196*270	790*200*270	900*220*291	1025*320*235	
		in	28 1/2 x 7 3/4 x 10 3/4	31 1/4 x 8 x 10 3/4	35 1/2 x 8 3/4 x 15 1/2	40 1/2 x 12 1/2 x 9 1/2	
	Packing (W*H*D)	mm	800*265*330	870*265*335	970*290*345	1105*315*405	
		in	31 1/2 x 10 1/2 x 13	34 1/4 x 10 1/2x13 1/4	38 1/4 x 11 1/2 x 13 1/2	43 1/2 x 12 1/2 x 16	
	Weight lbs (kgs)	Net Weight	15 (7)	17 (8)	27 (12.5)	27 (12.5)	
Gross Weight		17 (8)	19 (9)	34 (15.5)	34 (15.5)		
Outdoor unit	Compressor	Type	Rotary	Rotary	Rotary	Rotary	
		Brand	GMCC	GMCC	GMCC	Sanyo	
	Outdoor fan motor	Motor speed	Rpm	860	860	880	850
		Capacitor	uF	2.5	2.5	2.5	3
	Noise level	dB(A)	50	50	54	55	
	Unit dimension (W*H*D)	mm	660*530*250	660*530*250	780*560*270	820*635*310	
		in	26 x 21 x 10	26 x 21 x 11	31 3/4 x 22 x 10 3/4	32 1/4 x 14 1/2 x 12 1/4	
	Packing (W*H*D)	mm	768*575*338	768*575*338	889*612*359	972*680*400	
		in	30 1/4 x 22 3/4 x 13 1/2	30 1/4 x 22 3/4 x 13 1/2	35 x 24 x 14 1/4	38 1/4 x 26 3/4 x 15 3/4	
	Weight lbs (kgs)	Net Weight	46 (21)	49 (22.5)	62 (28.5)	81 (37)	
Gross Weight		52 (24)	56 (25.5)	88 (40)	88 (40)		
Refrigerant type		R410A	R410A	R410A	R410A		
Refrigerant charge	Kg (lbs)	0.4 (0.89)	0.5 (1.10)	0.85 (1.88)	1.53 (3.38)		
Refrigerant Pipe	Liquid side	in	1/4	1/4	1/4	1/4	
	Gas side	in	3/8	3/8	1/2	5/8	
	Max. refrigerant pipe length	ft (m)	30 (9)	40 (12)	40 (12)	50 (15)	
	Max. difference in level	ft (m)	16 (5)	23 (7)	23 (7)	26 (8)	

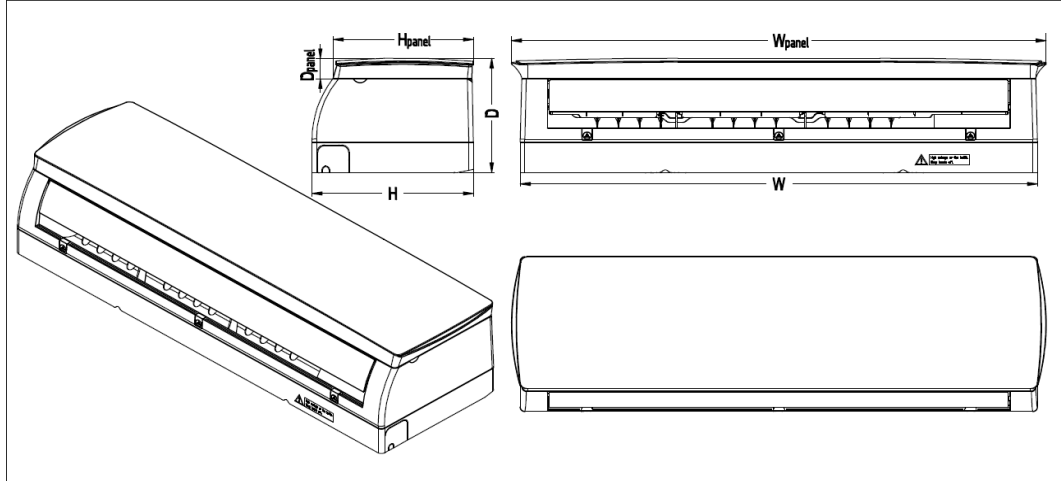
**Notes**

- Nominal capacities are based on ARI standards 210/240-89, air entering the indoor coil operating at high fan speed for 220V-230V setting. Cooling: 80/67° F (27/19° C) DB/WB indoor & 95° F (35° C) outdoor ambient temperature.
- Rating are based on indoor and outdoor connected by 25ft (7.5m) of tubing. 3. Refrigerant metering device is installed at the outdoor unit as standard. 4. Flare fittings are provided for connecting indoor and outdoor units.
- Insulation of both liquid and suction line is required. 6. Outdoor units are shipped with full operating charge. 7. For details of model number nomenclature, please refer to publication OGMNM-1220.

## 2. Dimensional Drawings

### - Indoor Unit

Units mm

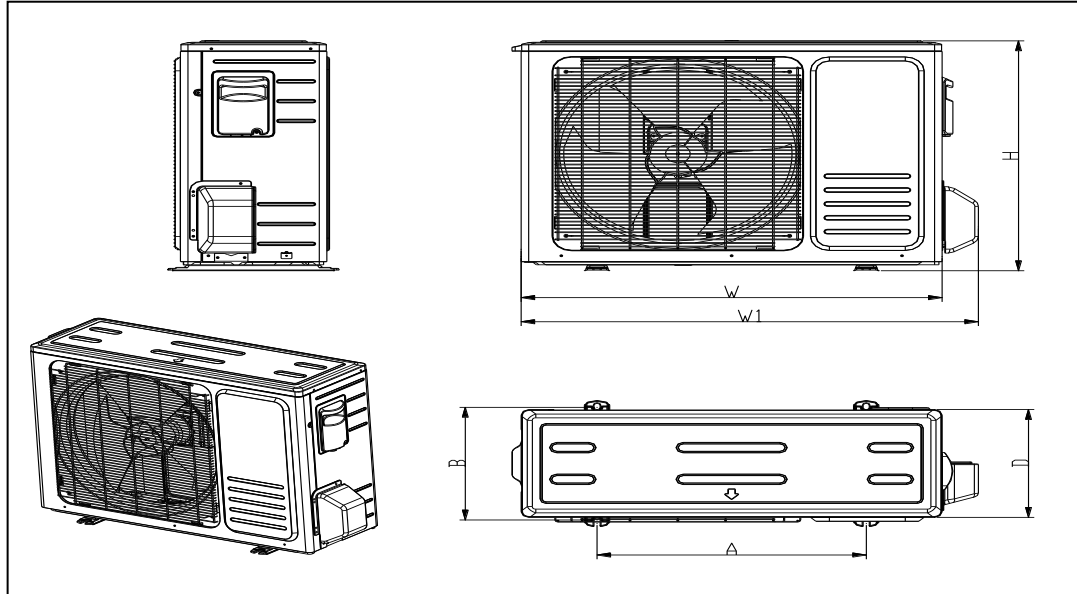


Model	W (mm)	H (mm)	D (mm)	Model
9K	720	196	270	IEWH009I3A-CWJ026CI(L)
12K	790	200	270	IEWH012I3A-CWJ035CI(L)
18K	900	220	291	IEWH018I3A-CWJ053CI(L)
24K	1025	320	235	IEWH024I3A-CWJ070CI(L)

2. Dimensional Drawings

- Outdoor Unit

Units mm



Model	W (mm)	H (mm)	D (mm)	Model
9K	660	530	250	ICHH009I3A-CTI026GF
12K	660	530	250	ICHH012I3A-CTJ035GF
18K	780	560	270	ICHH018I3A-CTJ053GF
24K	820	635	310	ICHH024I3A-CSJ070GF